

# Adjustable Leg Tables



- Finished table sizes of 36", 48", 60", 72"
- Adjustable height from 28" to 42" in 1" increments
- Dual depth of 24" and 30" (adjustable)
- Chemical resistant Phenolic table tops available separately
- Table frames and tops ship directly from Looped LOGIC inventory
- Load tested to 600lbs, with less than 1/8" deflection



*Optional Wheels!*

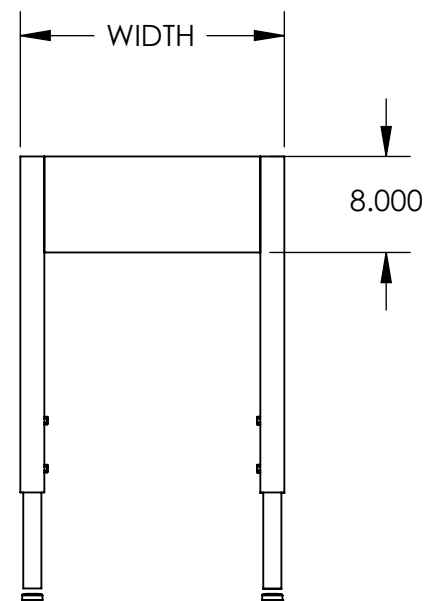
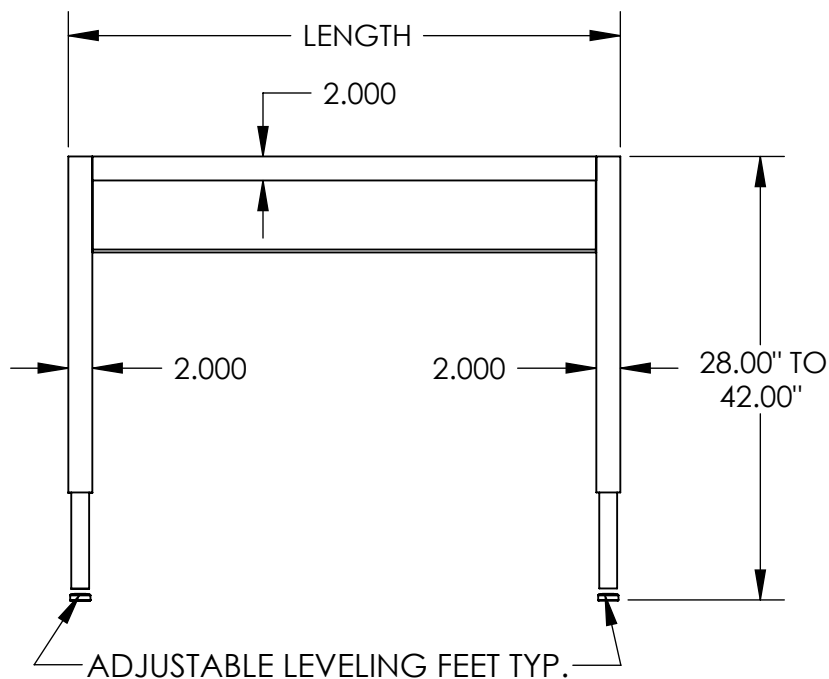
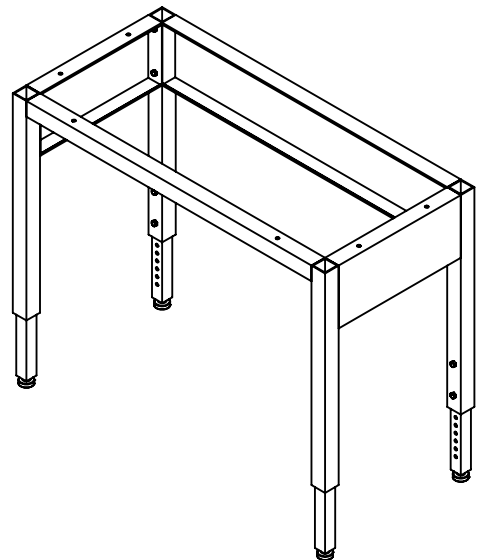
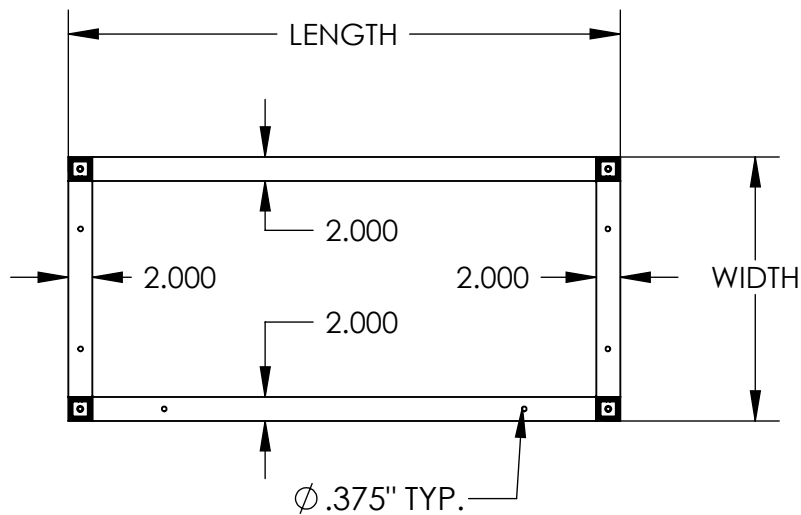


[www.loopedlogic.com](http://www.loopedlogic.com)  
Fast, affordable quality. The way to get science done.™

866-340-2622 phone  
805-498-1855 fax

747 Calle Plano  
Camarillo, CA 93012  
[www.LOOPEDLOGIC.com](http://www.LOOPEDLOGIC.com)





DRAWING #	PART #	DESCRIPTION	LENGTH	WIDTH
GL-18-36	LL3630ALT	Table, 36 x 28-42 x 30/24, adj leg, assembly reqd.	34.00"	22.00" & 28.00"
GL-18-48	LL4830ALT	Table, 48 x 28-42 x 30/24, adj leg, assembly reqd.	46.00"	22.00" & 28.00"
GL-18-60	LL6030ALT	Table, 60 x 28-42 x 30/24, adj leg, assembly reqd.	58.00"	22.00" & 28.00"
GL-18-72	LL7230ALT	Table, 72 x 28-42 x 30/24, adj leg, assembly reqd.	70.00"	22.00" & 28.00"



# LOOPED LOGIC

ADJUSTABLE LEG TABLE FRAMES

PART #:

DRAWING #:

DRAWN BY: J.D.G.

DATE: 1/22/2016