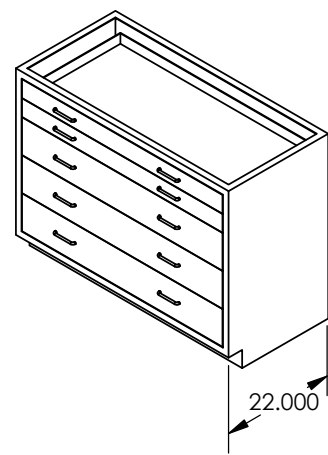
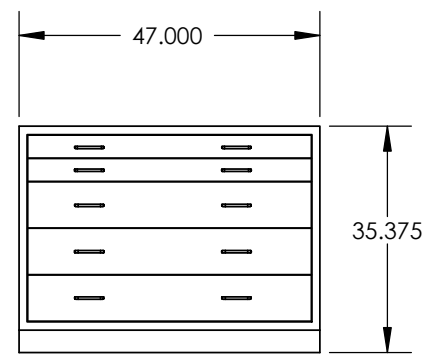


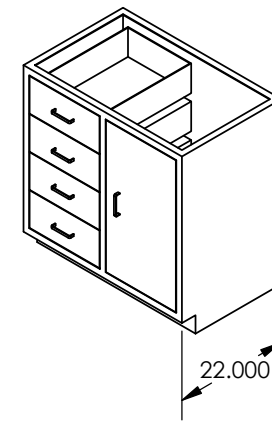
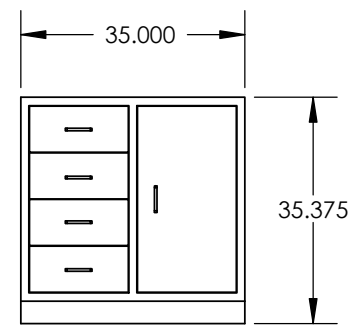
CABINET #	LENGTH
LLDD47H	47.00"
LLDD35H	35.00"

LLDA47H

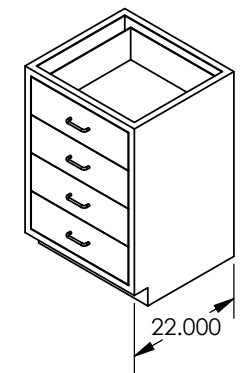
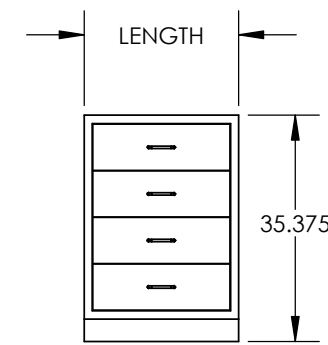
LLDZ47H



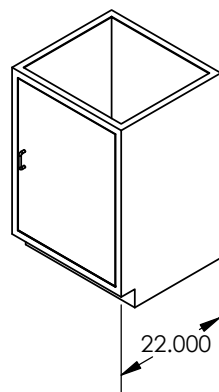
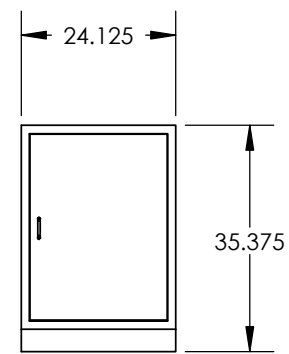
LLDN47H



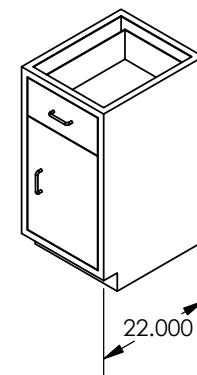
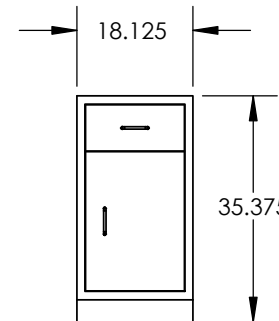
LLDG35H



CABINET #	LENGTH
LLAE24H	24.125
LLAE18H	18.125



LLAA24H



LLAB18H

ALSO AVAILABLE:

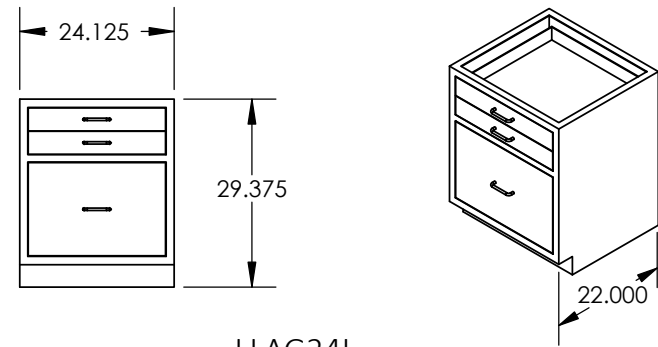
- APRON RAILS
- FILLER PANELS
- ASSORTED ACCESSORIES



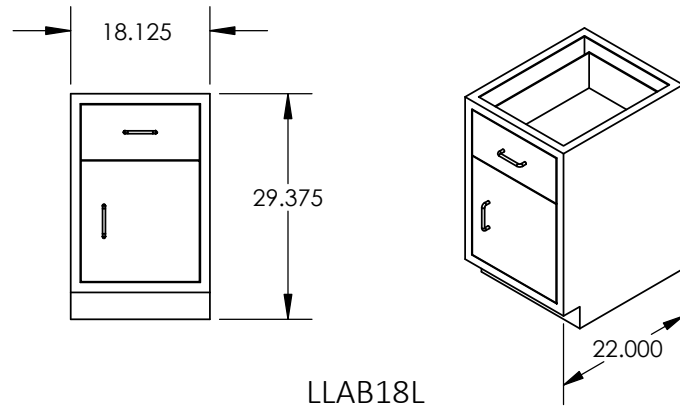
LOOPED LOGIC
LABORATORY FURNITURE

TITLE: CABINET CUT SHEET

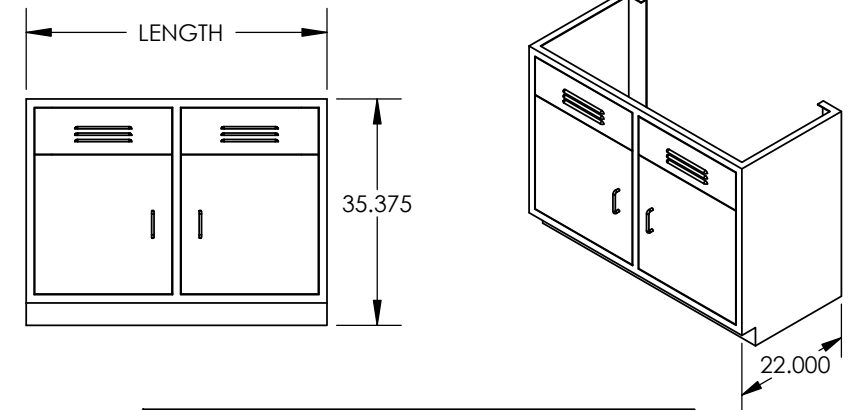
DRAWN BY: DATE: 11/18/16



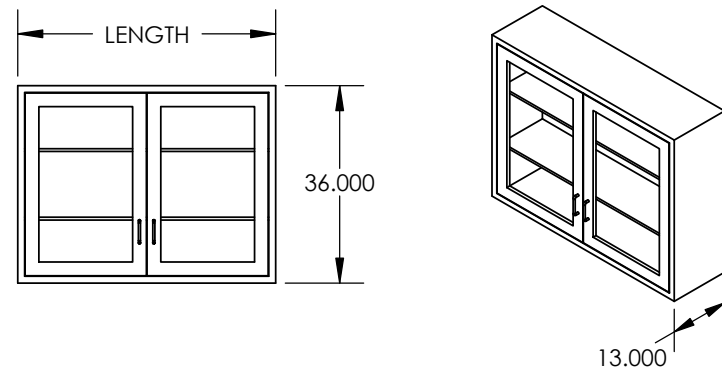
LLAG24L



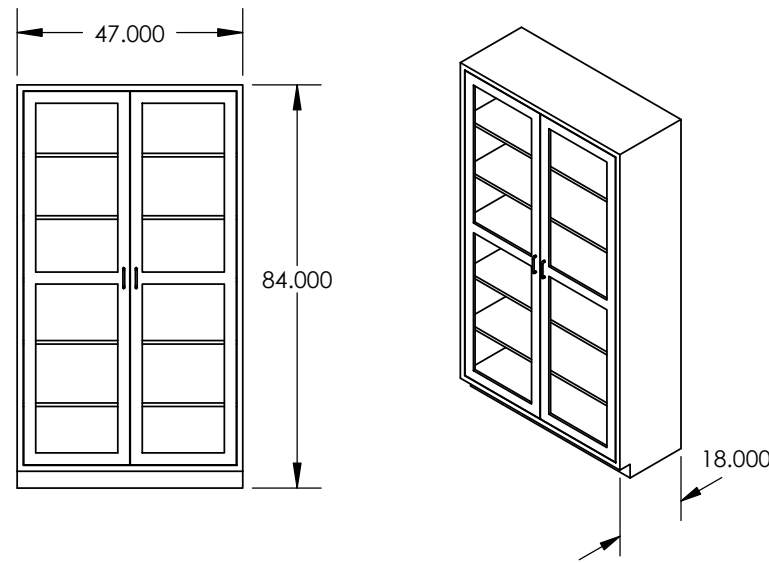
LLAB18L



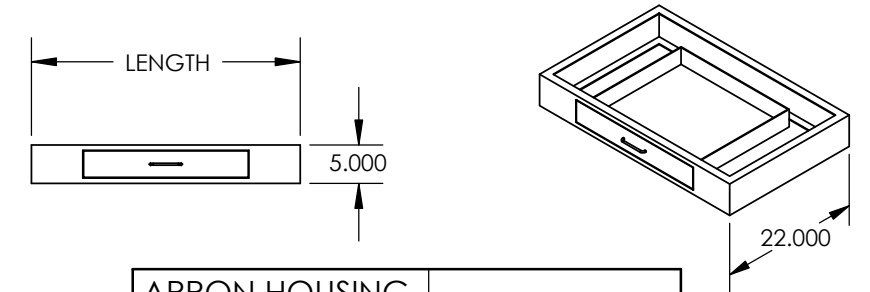
CABINET #	LENGTH
LLDB58H	58.00"
LLDB47H	47.00"
LLDB35H	35.00"



CABINET #	LENGTH
LLE47M	47.00"
LLE35M	35.00"



LLL47HA



APRON HOUSING W/ DRAWER #	LENGTH
LL4722AWD	47.00"
LL3522AWD	35.00"
LL3022AWD	30.00"

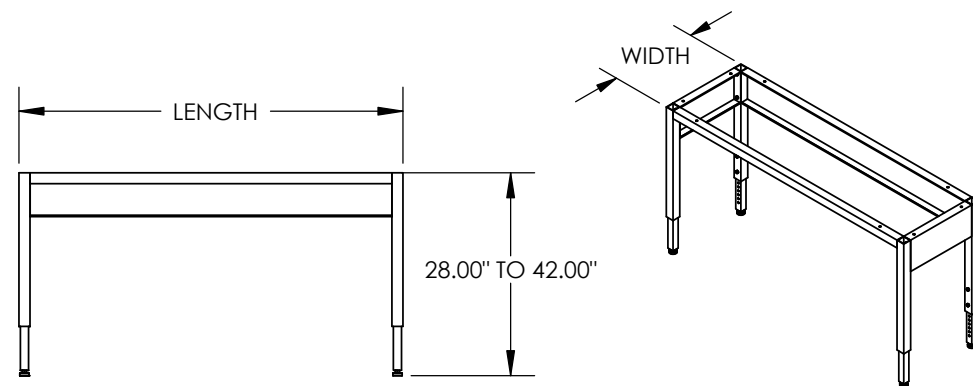


TABLE #	LENGTH	WIDTH
LL3630ALT	34.00"	22.00" OR 28.00"
LL4830ALT	46.00"	22.00" OR 28.00"
LL6030ALT	58.00"	22.00" OR 28.00"
LL7230ALT	70.00"	22.00" OR 28.00"

ALSO AVAILABLE:

- APRON RAILS
- FILLER PANELS
- ASSORTED ACCESSORIES



**LOOPED LOGIC
LABORATORY FURNITURE**

TITLE: **CABINET CUT SHEET**

DRAWN BY: _____ DATE: 11/16/16