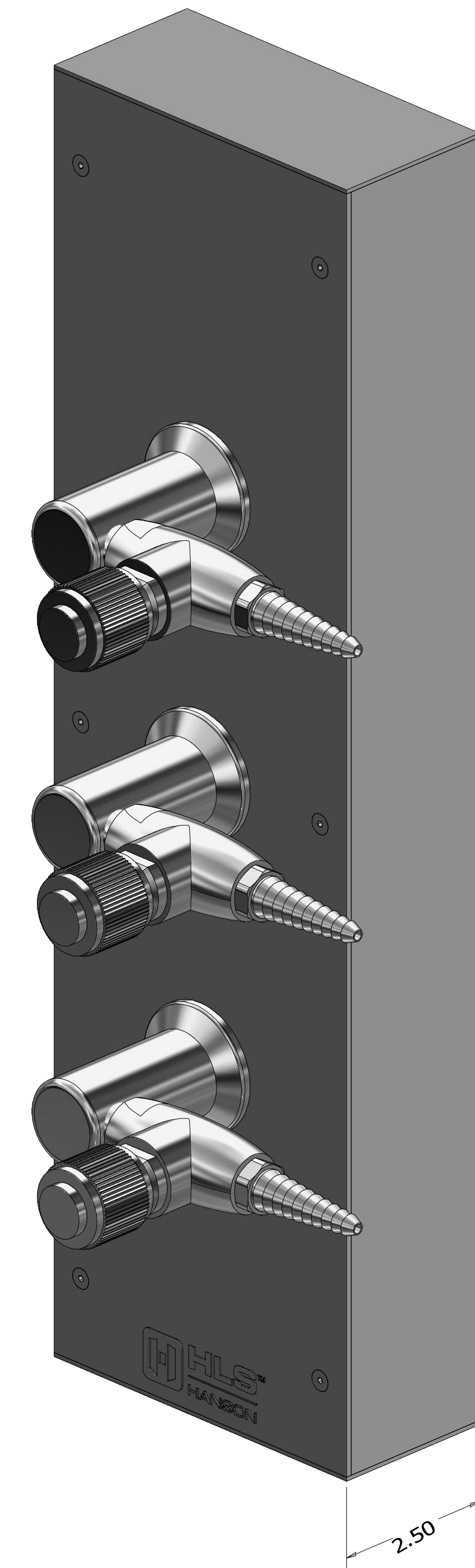
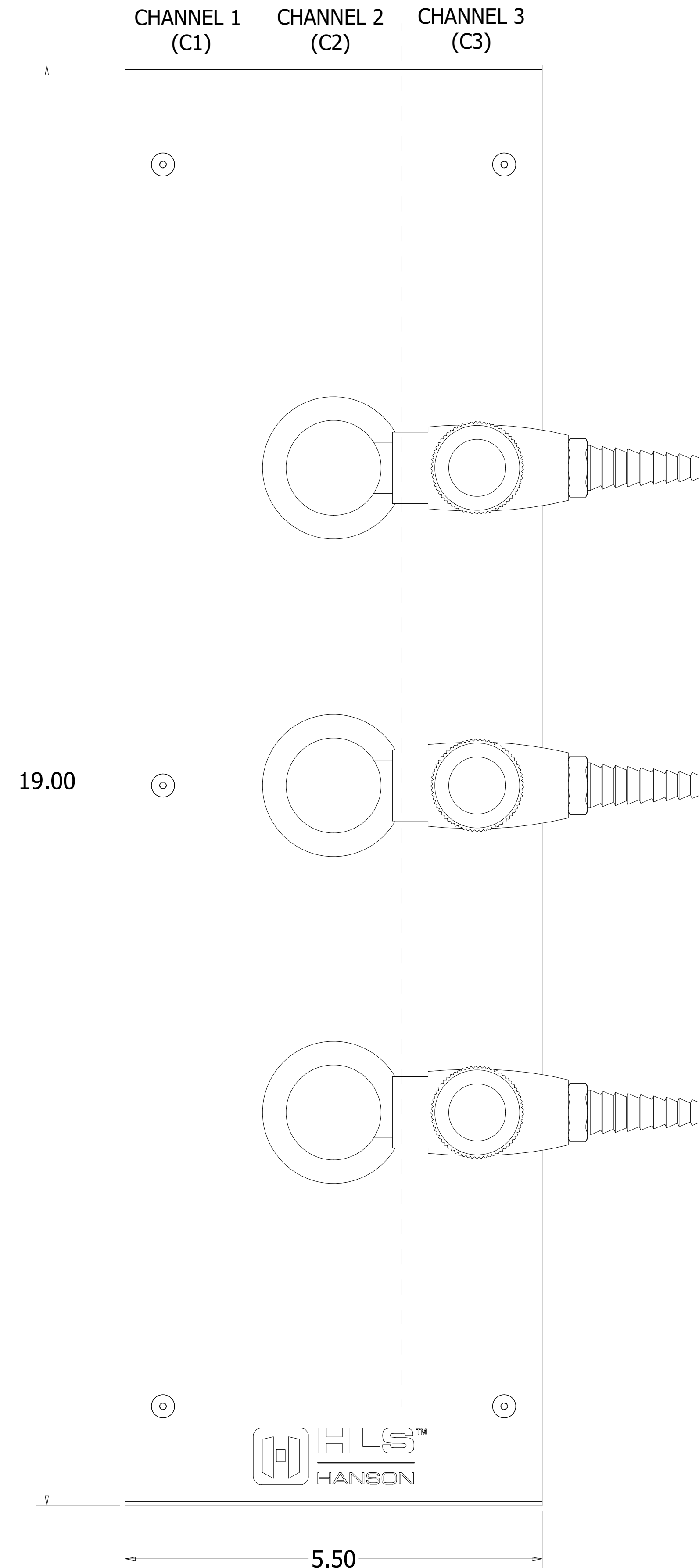


SERVICE HUB - Type 1

Hub type and configuration	C1 detail	C2 detail	C3 detail	Power input and circuit quantity
1A	N/A	One (1) 90° mount service valve turret + two (2) blanks	N/A	N/A
1B	N/A	Two (2) 90° mount service valve turrets + one (1) blank	N/A	N/A
1C <small>EXAMPLE SHOWN</small>	N/A	Three (3) 90° mount service valve turrets	N/A	N/A



Example type 1C configured as shown, p/n SH-1CBSBB

Hub type and configuration (see spreadsheet ABOVE for detail)

Service Hub prefix

Part number example: **SH-1CBSBB**

C2 needle valve type:
S = Single
D = Dual (180° opposed)

Power input (no options):
B = Blank

C3 (no options):
B = Blank

C1 (no options):
B = Blank

DRAWN	MWR	3/30/2018	HANSON LAB SOLUTIONS	
CHECKED			TITLE	
QA			SERVICE HUB ASSEMBLY, TYPE 1	
MFG			SIZE	DWG NO
APPROVED			D	SH assy, type 1
			SCALE	REV
			.9	B
			SHEET 1 OF 1	