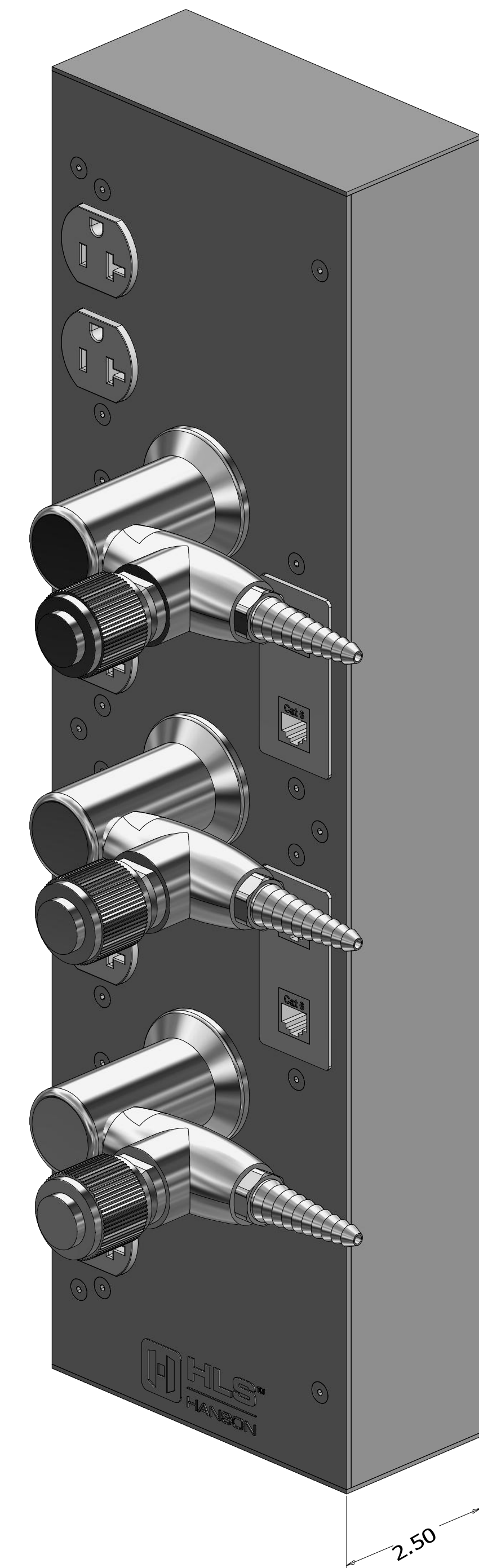
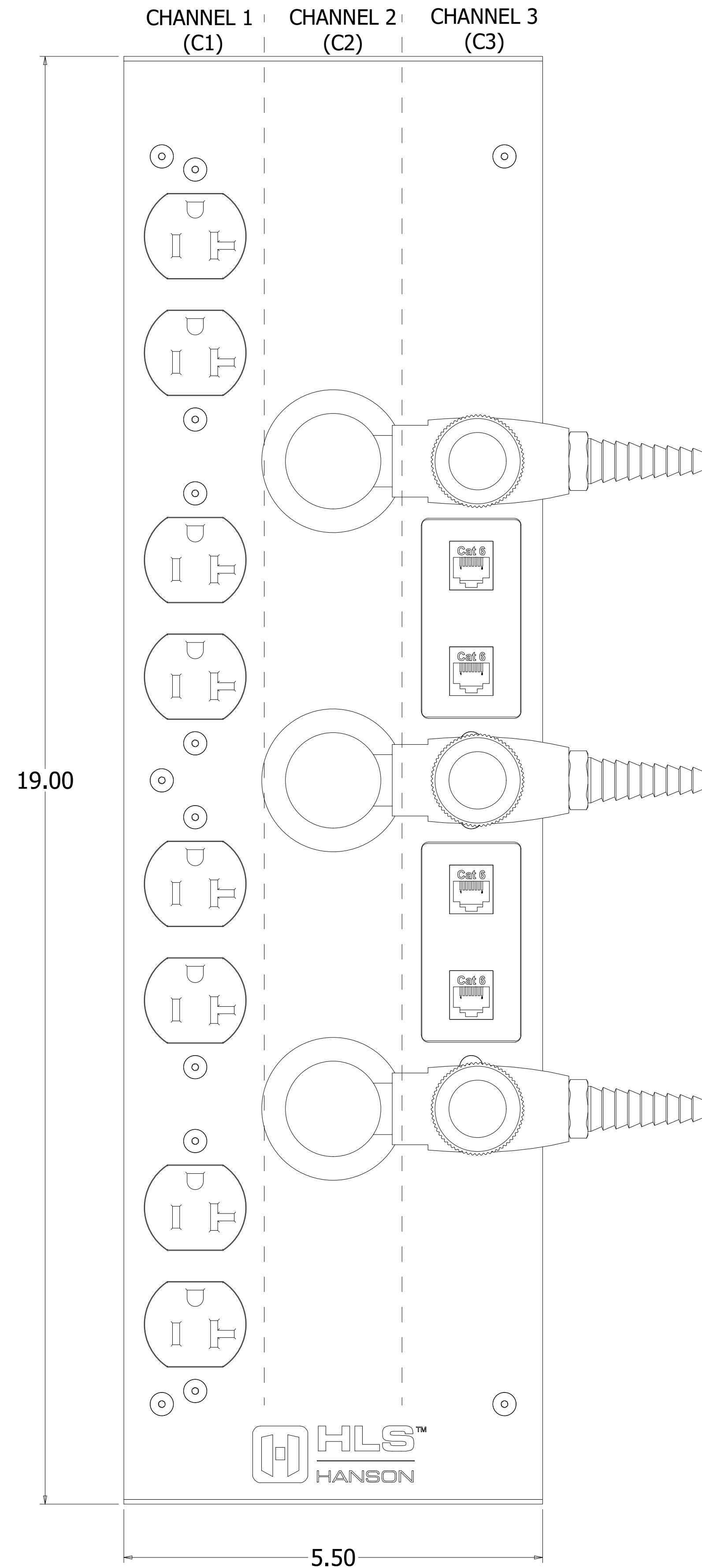


SERVICE HUB - Type 2

Hub type and configuration	C1 detail	C2 detail	C3 detail	Power input and circuit quantity
2A	Four (4) 120v 20A duplexes on one (1) circuit	One (1) 90° mount service valve turret + two (2) blanks	RJ45 CAT 6 ethernet jack	One (1) NEMA L5-20 input power cord; hub is wired for one (1) circuit
2B	Four (4) 120v 20A duplexes on two (2) circuits	Two (2) 90° mount service valve turrets + one (1) blank	RJ45 CAT 6 ethernet jack	One (1) NEMA L14-20 input power cord; hub is wired for two (2) circuits
2C EXAMPLE SHOWN	Four (4) 120v 20A duplexes on two (2) circuits	Three (3) 90° mount service valve turrets	RJ45 CAT 6 ethernet jack	One (1) NEMA L14-20 input power cord; hub is wired for two (2) circuits



Example type 2C configured as shown, p/n SH-2CWS043C

Hub type and configuration (see spreadsheet ABOVE for detail)

Service Hub prefix

Part number example: **SH-2CWS043C**

C2 needle valve type:
S = Single
D = Dual (180° opposed)

Input power cord length and type (not displayed):
3C = 36" coiled input cords
6C = 72" coiled input cords
3N = 36" non-coiled input cords
6N = 72" non-coiled input cords

C3 RJ45 jack quantity:
00 = none (2 blanks)
02 = two + one blank
04 = two sets of two
06 = two sets of three

C1 duplex color:
W = White
R = Red
N = Orange

DRAWN	MWR	3/30/2018	HANSON LAB SOLUTIONS		
CHECKED			TITLE		
QA			SERVICE HUB ASSEMBLY, TYPE 2		
MFG			SIZE	DWG NO	REV
APPROVED			D	SH assy, type 2	B
			SCALE	.9	SHEET 1 OF 1