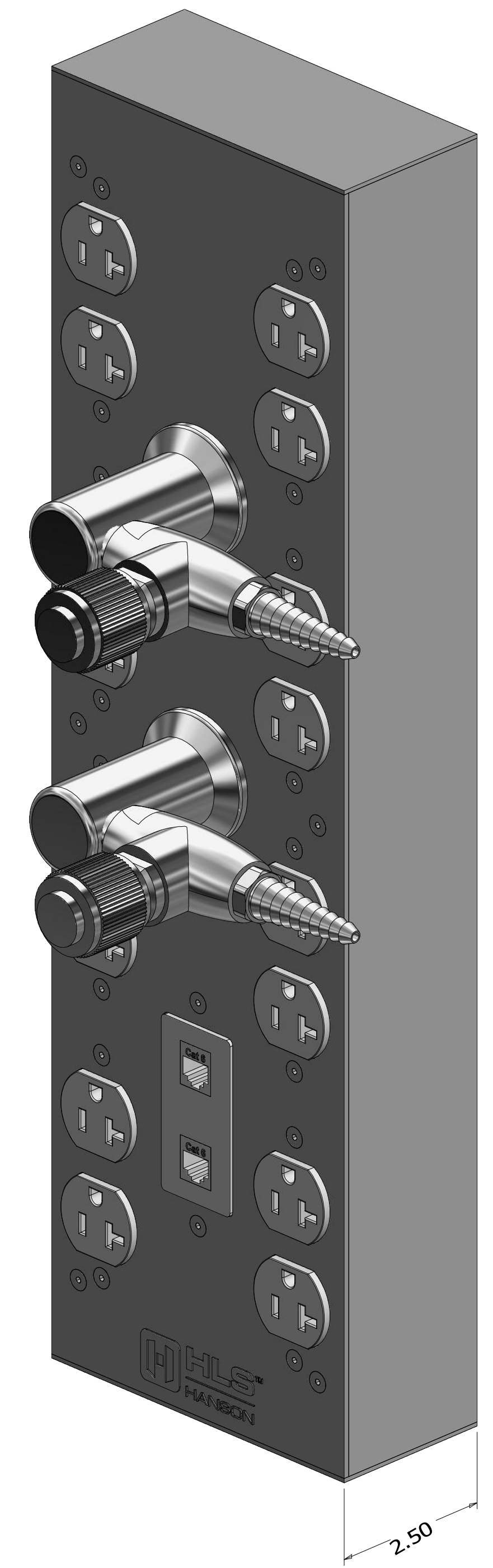
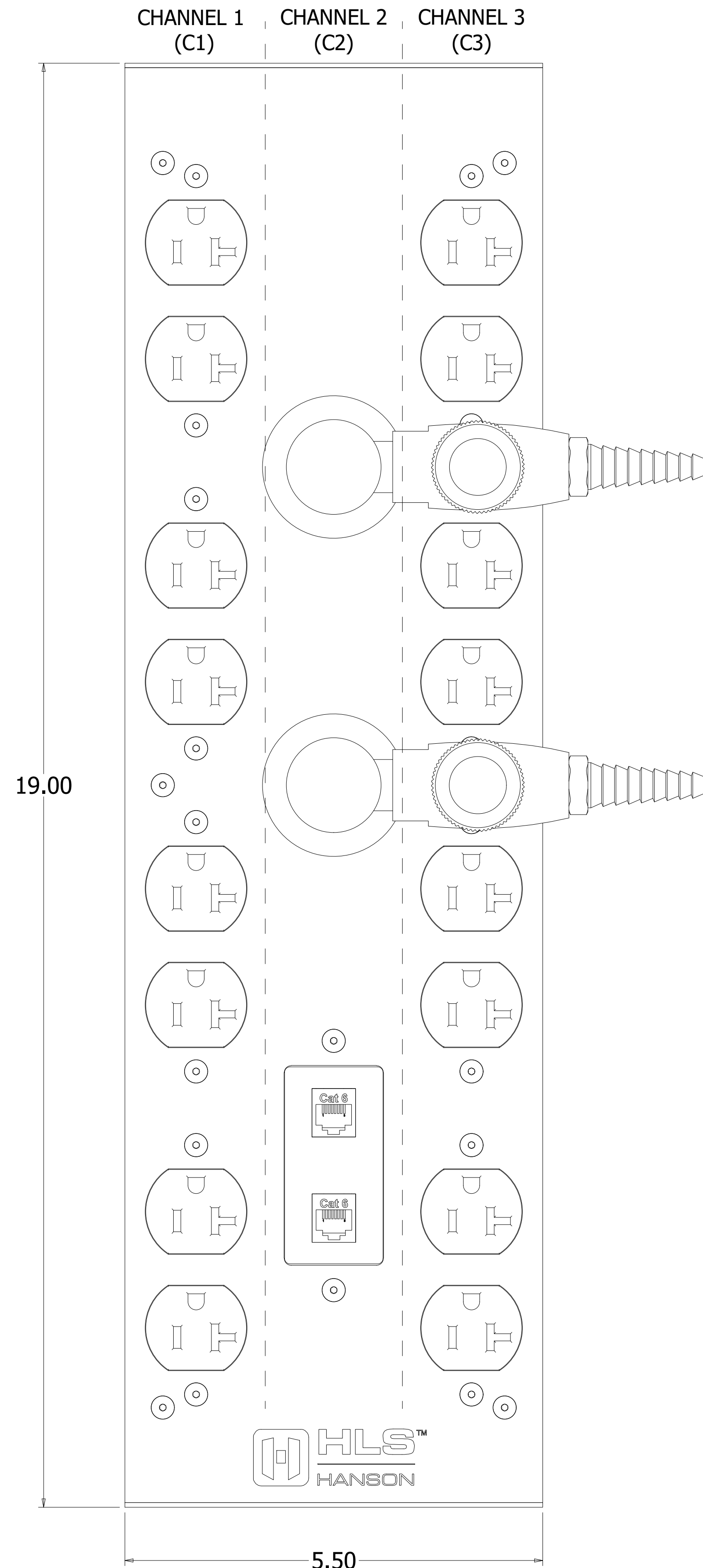


# SERVICE HUB - Type 3

Hub type and configuration	C1 detail	C2 detail	C3 detail	Power input and circuit quantity
3A	Four (4) 120v 20A duplexes on one (1) circuit	One (1) 90° mount service valve turret + one (1) blanks + RJ45 CAT 6 ethernet jack	Four (4) 120v 20A duplexes on one (1) circuit	Two (2) NEMA L5-20 input power cords; hub is wired for two (2) circuits
<b>3B</b> <small>EXAMPLE SHOWN</small>	Four (4) 120v 20A duplexes on two (2) circuits	Two (2) 90° mount service valve turrets + RJ45 CAT 6 ethernet jack	Four (4) 120v 20A duplexes on two (2) circuits	Two (2) NEMA L14-20 input power cords; hub is wired for four (4) circuits
3C	Four (4) 120v 20A duplexes on one (1) circuit	Two (2) 90° mount service valve turrets + RJ45 CAT 6 ethernet jack	Two (2) 120v 20A duplexes on one (1) circuit + two (2) blanks	Two (2) NEMA L5-20 input power cords; hub is wired for two (2) circuits



Example type 3B configured as shown, p/n SH-3BWS02W3C

Hub type and configuration (see spreadsheet ABOVE for detail)

Service Hub prefix

Part number example: **SH-3BWS02W3C**

C2 needle valve type:  
S = Single  
D = Dual (180° opposed)

C2 RJ45 jack quantity:  
00 = none (blank)  
02 = one set of two  
03 = one set of three

Input power cord length and type (not displayed):  
3C = 36" coiled input cords  
6C = 72" coiled input cords  
3N = 36" non-coiled input cords  
6N = 72" non-coiled input cords

C3 duplex color:  
W = White  
R = Red  
N = Orange

C1 duplex color:  
W = White  
R = Red  
N = Orange

DRAWN	MWR	10/4/2018	HANSON LAB SOLUTIONS	
CHECKED			TITLE	
QA			SERVICE HUB ASSEMBLY, TYPE 3	
MFG			SIZE	DWG NO
APPROVED			D	SH assy, type 3
			SCALE	REV B
			.9	SHEET 1 OF 1