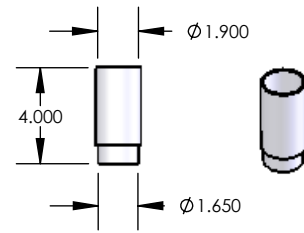
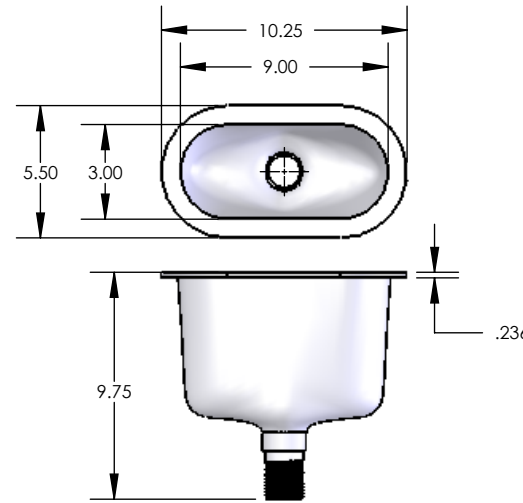


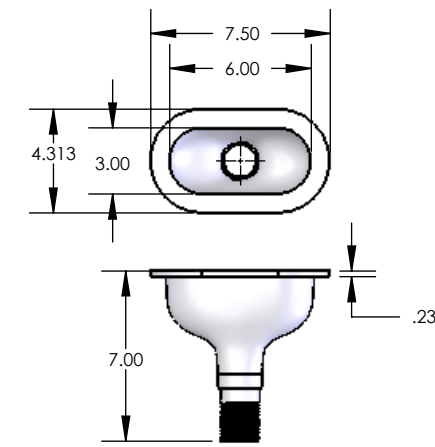
SINK	DIM "A"	DIM "B"	DIM "C"	DIM "D"	DIM "E"	DIM "F"	DIM "G"	DIM "H"
LL1713SINK	17.31	13.37	15.15	11.25	11.00	15.40	.25	1.25
LL2218SINK	21.65	17.70	18.90	14.95	12.20	16.56	.28	1.56
LL3218SINK	31.50	18.10	28.81	15.37	12.60	16.95	.31	1.56



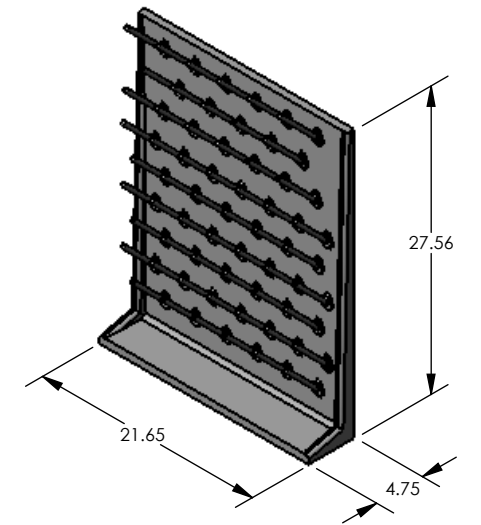
4" SINK OVERFLOW  
PART #: LLOVERFLOWPP-B



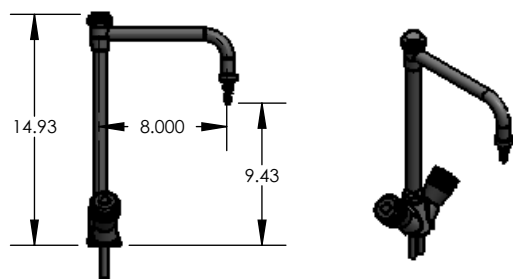
3 x 9 CUPSINK PART  
#: LL0903CS



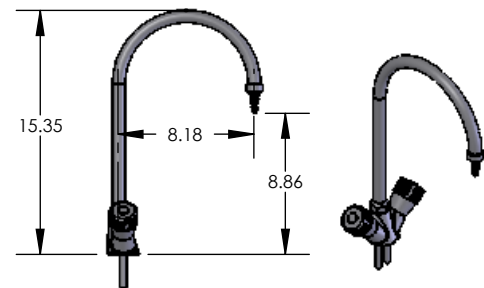
3 x 6 CUPSINK PART  
#: LL0603CS



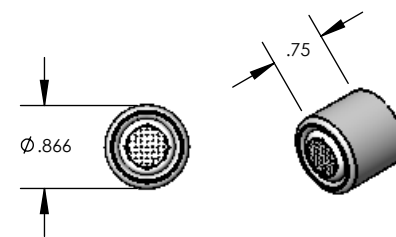
POLYPROPYLENE PEGBOARD 22X28  
PART #: LL2228PB



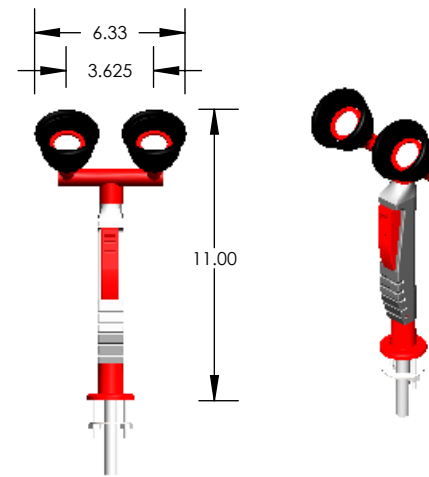
HOT/COLD MIXING FAUCET  
W/ VACUUM BREAKER  
PART #: LL21406EVB-HC



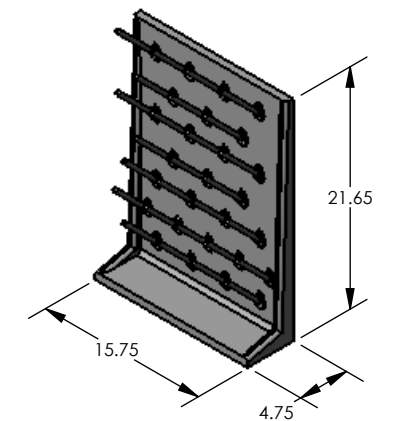
HOT/COLD MIXING FAUCET  
PART #: LL21401E-HC



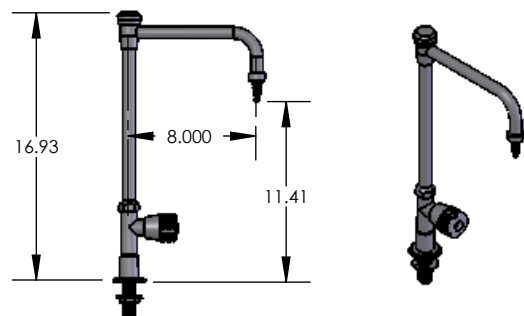
AERATION NOZZLE  
PART #: LLAERATION



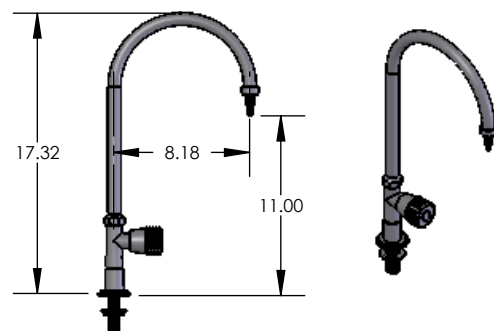
DECK MOUNTED HAND HELD EYEWASH  
PART #: LL7201EW



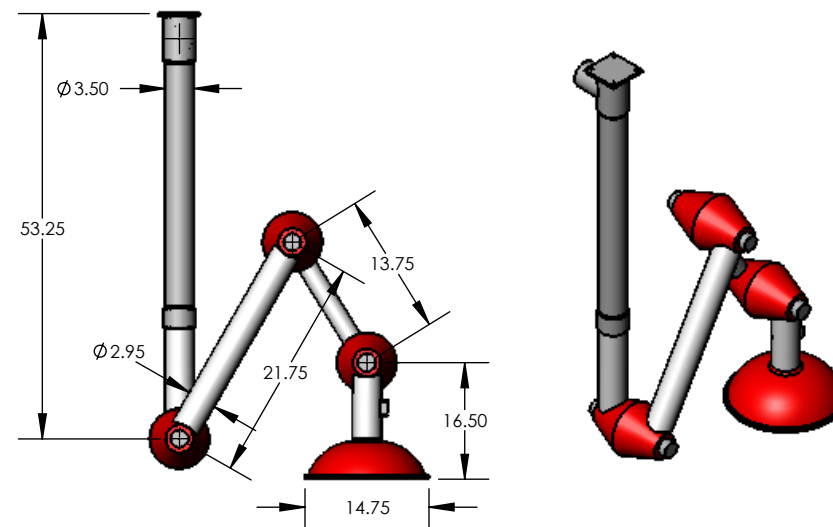
POLYPROPYLENE PEGBOARD 16X22  
PART #: LL1622PB



COLD WATER FAUCET  
W/ VACUUM BREAKER  
PART #: LL21105EVB-CW



COLD WATER FAUCET  
PART #: LL21102E-CW



FUME EXTRACTOR  
PART #: LL6412FE



LOOPED LOGIC  
LABORATORY FURNITURE

TITLE:  
ACCESSORY CUT SHEET

DRAWN BY: DATE 11/16/16