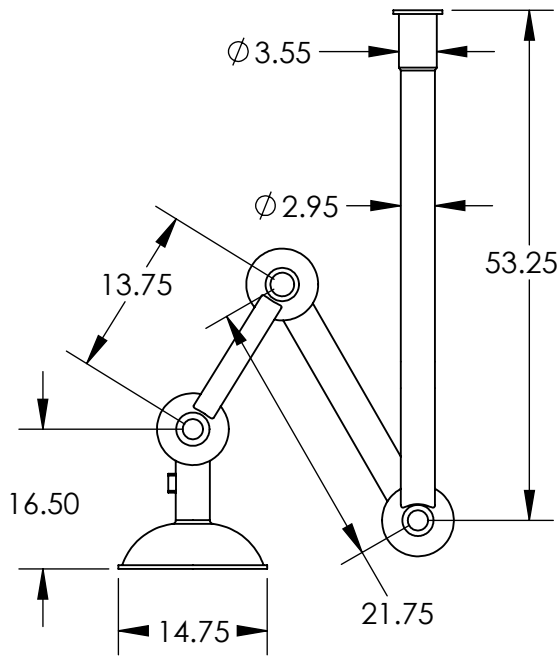


CEILING MOUNTING BRACKET



**NOTES:**

- HIGH- GRADE POLYPROPYLENE SWIVEL 360°.
- EASY TO ASSEMBLE AND DISASSEMBLE FOR CLEANING.
- QUALITY MATERIAL THROUGHOUT: JOINTS WITH STAINLESS STEEL BALL BEARINGS MOLDED IN, HIGH GRADE PP/PPC FOR THE DOME CUP HOOD, AND A GUIDING RING OF LOW- FRICTION TREATED RUBBER.
- ADJUSTABLE JOINT KNOB.
- STURDY PVC TUBE PROVIDES YEARS OF USE.
- MOUNTS SECURELY TO THE CEILING BRACKET.
- DAMPERS ALLOWS USERS TO MANUALLY ADJUST THE DAMPER, TO CONTROL AIRFLOW.



**LOOPED LOGIC**  
**FUME EXTRACTOR**

PART #: LL6412FE-PP

DRAWING #: SAN-6412

DRAWN BY: J.D.G.

DATE: 9/24/2014