

AGILITY™ MOBILE WORKSTATION



Fully Mobile - Move your workstation with instrumentation intact
No wasted time on disassembly and reset

FEATURES:

- Thick-gauge welded steel frame supports 3500+ lb. working capacity
- Heavy-duty locking casters and adjustable leveling feet provide superior stability
- Integrated adjustable-height shelving system for flexibility
- Configurable in multiple lengths, heights, and depths

EXCLUSIVE TO HLS AGILITY™

AGILITY™ Mobile is the only pre-wired, pre-plumbed system with up to 3,500 pound working load

BUILD YOURS:

Select AM when choosing your desk specifications. Make sure to also choose your length, depth, height, and Service Hub Locations. Available options to the right.

AM- _____

Agility™ Mobile
Table system part numbering guide

AM- 60 30 H 84 R

AGILITY MOBILE]

Work top length]
36 - 36"
48 - 48"
60 - 60"
72 - 72"
94 - 93.75" (2-bay; 3-post)

Work top depth]
30 - 30"
36 - 36"
42 - 42"

Work top height]
H - High (standing ht); fixed (36.75" nom)
A - Adjustable (36.75" - 30.75")

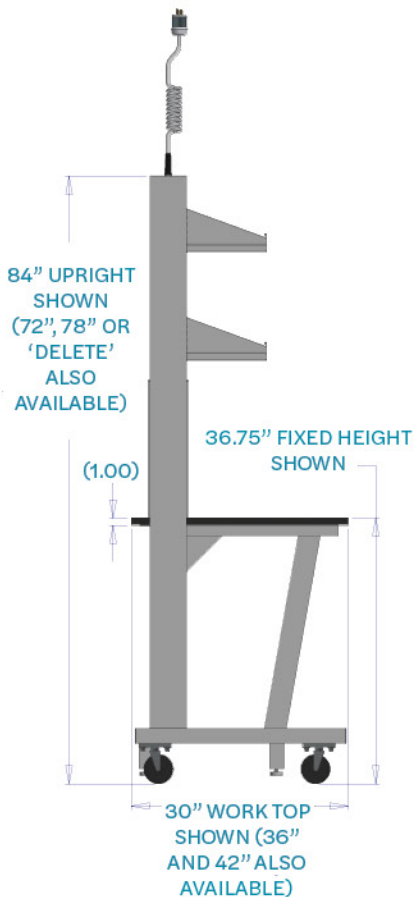
Upright post height]
72 - 72"
78 - 78"
84 - 84"
N - None. Post delete (N/A on adj. ht tables)

Service Hub location*]
L - Left post mount only
R - Right post mount only
B - Both; one SH mount each L/R post
N - None. SH delete

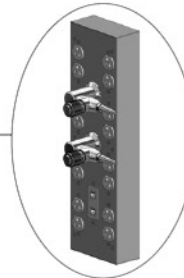
P/N example for 60"W x 30"D x 84"H, fixed-height bench with right-hand Service Hub: **AM-6030H84R**

93.75" tables only-
*Use two letter indicators on 93.75" tables to identify Hub locations(s) - one letter per bay. First letter identifies LH bay configuration and second letter identifies RH bay configuration.

P/N example:
93.75"W x 30"D x 84"H fixed-height bench
LH bay: Service Hub on **BOTH** post faces
RH bay: Service Hub on **LEFT** post face only: **AM-9430H84BL**



- 12" DEEP ADJUSTABLE HEIGHT SHELVES:
- 72" HIGH MODELS INCLUDE ONE ROW
- 78", 84" HIGH MODELS INCLUDE TWO ROWS (SHOWN)



OPTIONAL SERVICE HUB
SEE PAGE 9



HEIGHT ADJUSTABLE
WORKTOP CONFIGURATION
AVAILABLE

NOTE: 93.75 LONG TABLES ARE CONFIGURED WITH 3 UPRIGHTS AND 2 ROWS OF SHELVES
www.HANSONLAB.com | Camarillo, CA | 805-498-3121