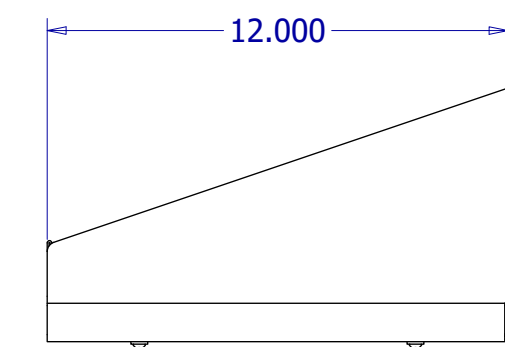
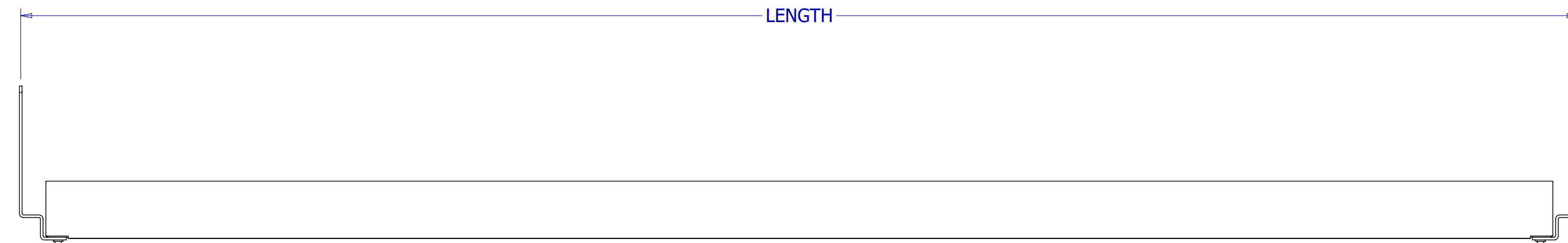
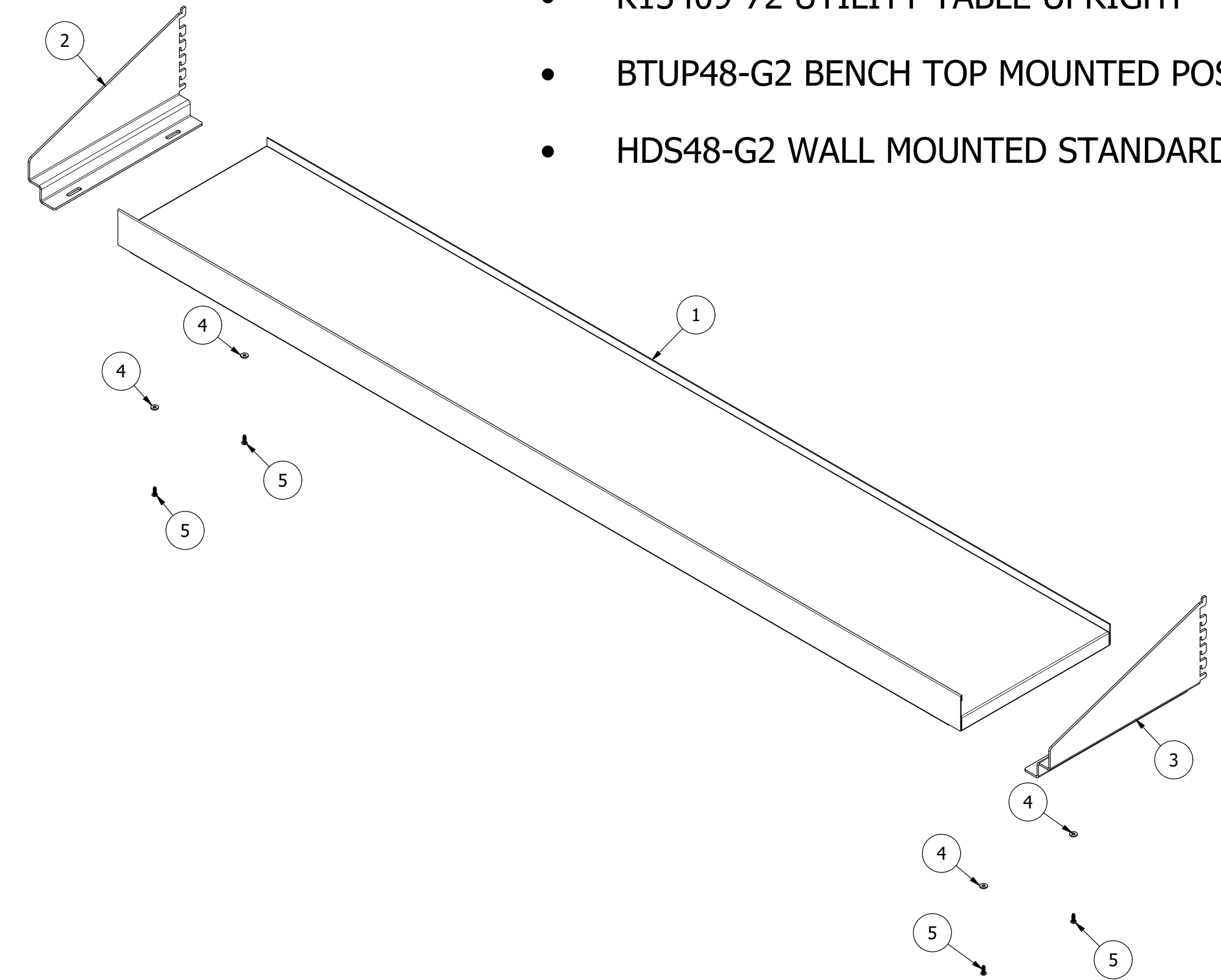


SHELVES MATE WITH:

- K13409-36 UTILITY TABLE UPRIGHT
- K13409-48 UTILITY TABLE UPRIGHT
- K13409-60 UTILITY TABLE UPRIGHT
- K13409-72 UTILITY TABLE UPRIGHT
- BTUP48-G2 BENCH TOP MOUNTED POST
- HDS48-G2 WALL MOUNTED STANDARD



PART #	LENGTH
K13070-12	33.75"
K13032-12	45.75"
K13033-12	57.75"
K13034-12	69.75"

K13070-12 SHELF PARTS LIST			
ITEM	QTY	PART NUMBER	DESCRIPTION
1	1	C13070-12	SHELF ASSY, 31.5x12, G2
2	1	C13026-1	BRKT, SHELF, 12 LH, G2
3	1	C13026-2	BRKT, SHELF, 12 RH, G2
4	4	H236	SAE WASHER, #8
5	4	H138	SCREW, 8-32 THRD-CUT

K13033-12 SHELF PARTS LIST			
ITEM	QTY	PART NUMBER	DESCRIPTION
1	1	C13033-12	SHELF ASSY, 55.5x12, G2
2	1	C13026-1	BRKT, SHELF, 12 LH, G2
3	1	C13026-2	BRKT, SHELF, 12 RH, G2
4	4	H236	SAE WASHER, #8
5	4	H138	SCREW, 8-32 THRD-CUT

K13032-12 PARTS LIST			
ITEM	QTY	PART NUMBER	DESCRIPTION
1	1	C13032-12	SHELF ASSY, 43.5x12, G2
2	1	C13026-1	BRKT, SHELF, 12 LH, G2
3	1	C13026-2	BRKT, SHELF, 12 RH, G2
4	4	H236	SAE WASHER, #8
5	4	H183	SCREW, 8-32 THRD-CUT

K13034-12 PARTS LIST			
ITEM	QTY	PART NUMBER	DESCRIPTION
1	1	C13034-12	SHELF ASSY, 67.5x12, G2
2	1	C13026-1	BRKT, SHELF, 12 LH, G2
3	1	C13026-2	BRKT, SHELF, 12 RH, G2
4	4	H236	SAE WASHER, #8
5	4	H183	SCREW, 8-32 THRD-CUT



DRAWN AG	11/11/2020	LOOPED LOGIC 747 Calle Plano, Camarillo CA 93012 805-498-3121	
CHECKED		TITLE CUTSHEET LOOPED LOGIC UPPER SHELVING	
QA		FINISH PETAL WHITE	
APPROVED		SIZE D	PART NO
UNLESS OTHERWISE NOTED, GEN. TOLERANCE +/- .015"; ALL DIMENSIONS ARE IN INCHES	JOB # QUOTE #	SCALE 1/5" MATL	REV -
		SHEET 1 OF 1	