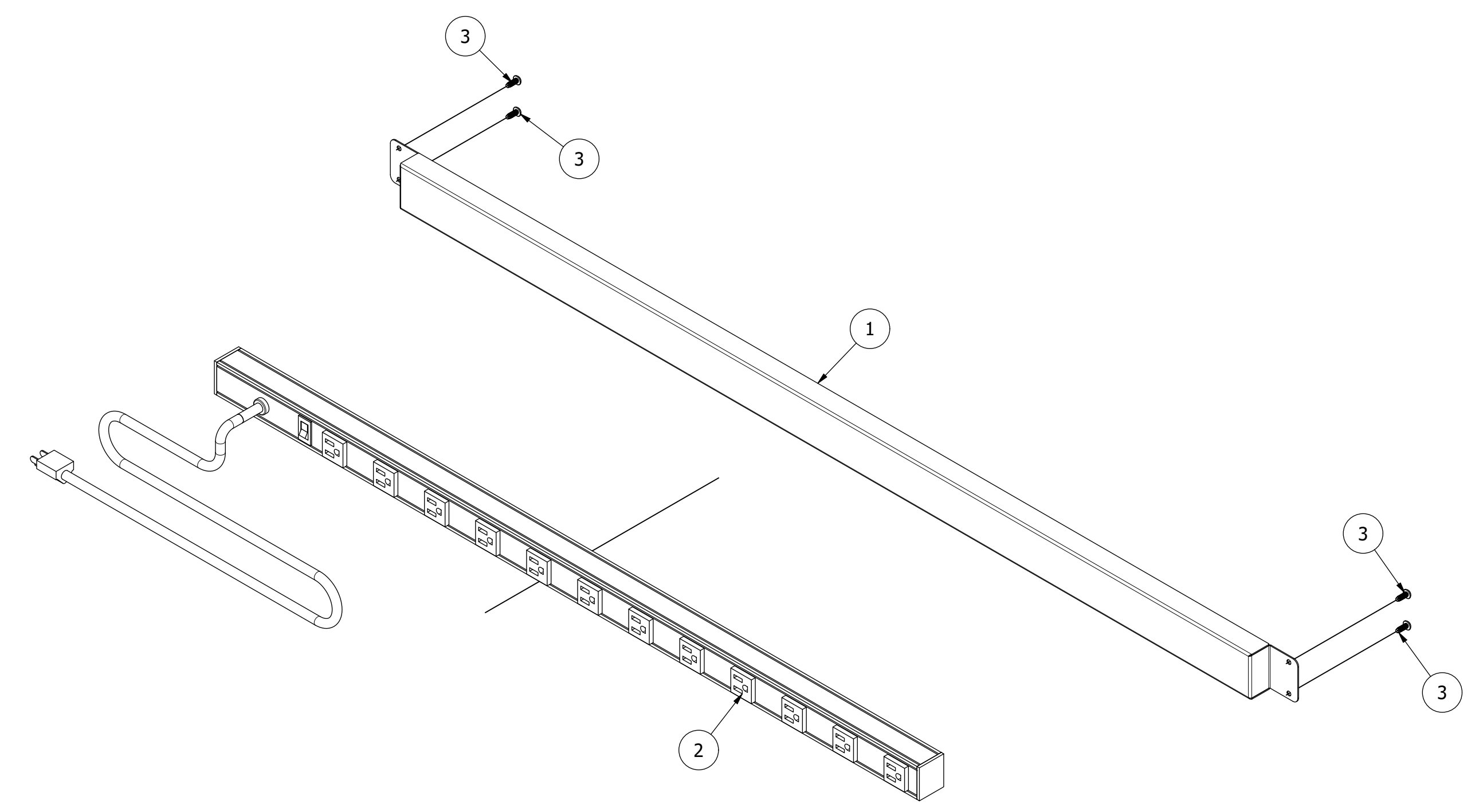
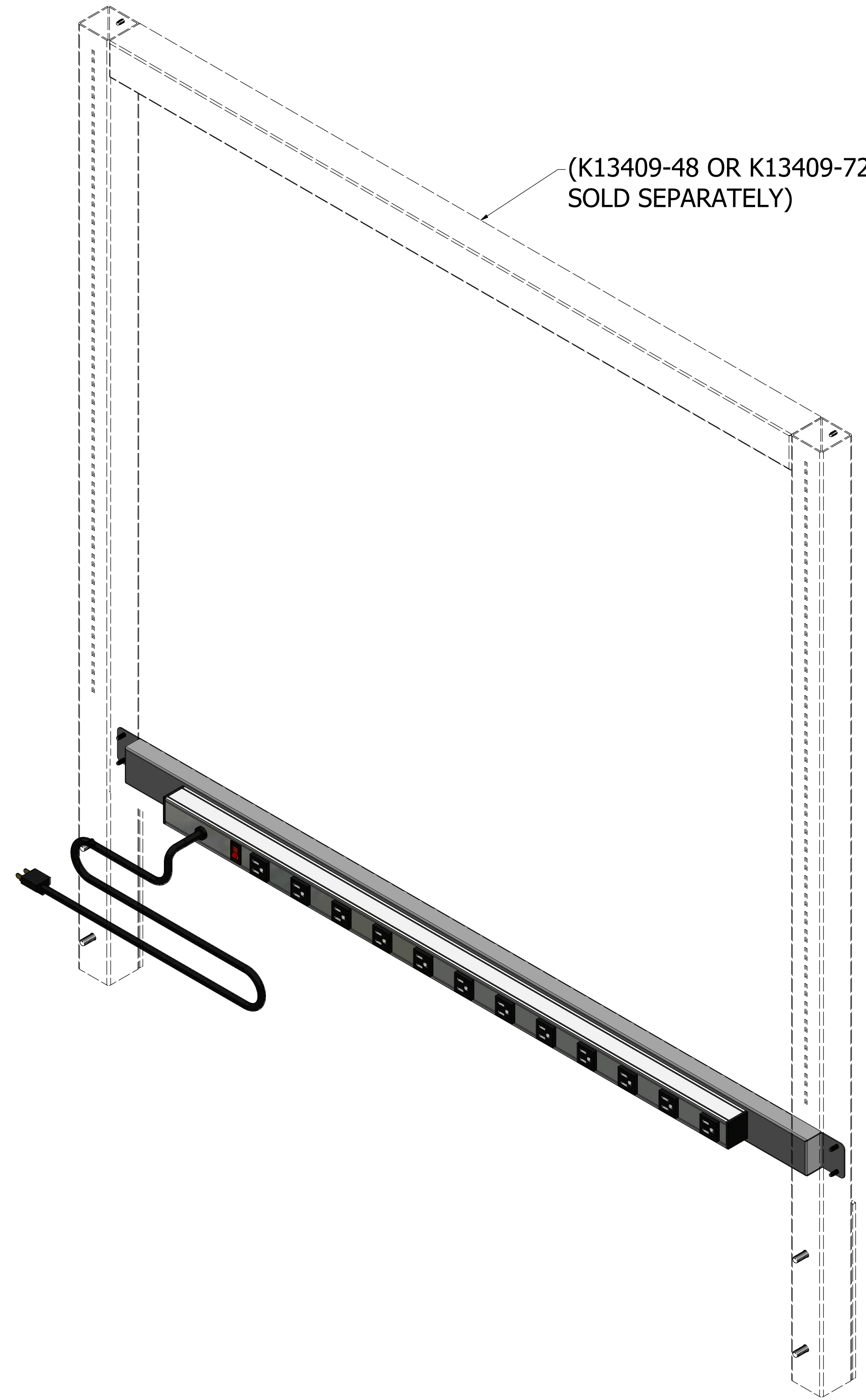


PARTS LIST		
ITEM	QTY	DESCRIPTION
1	1	POWER STRIP MOUNT, REAR HORIZ, UTILITY
2	1	POWER STRIP, WITH SWITCH
3	4	SCREW, 10-24 X .50 TYPE F, PHIL HD

POWER STRIP KIT	
PART #	LENGTH
K13411-48	46.65"
K13411-72	70.65"



INSTALLATION REQUIRES:

- K13409-48 OR K13409-72 UPRIGHT KIT
- SOME DRILLING REQUIRED



DRAWN AG	11/11/2020	LOOPED LOGIC 747 Calle Plano, Camarillo CA 93012 805-498-3121		
CHECKED		TITLE CUTSHEET LOOPED LOGIC POWER STRIP KIT		
QA		FINISH		
APPROVED		SIZE D	PART NO	REV -
UNLESS OTHERWISE NOTED, GEN. TOLERANCE +/- .015"; ALL DIMENSIONS ARE IN INCHES		JOB #	SCALE 1/3.5	MATL
		QUOTE #		SHEET 1 OF 1