

Fume Hoods

Benchtop and walk-in, standard or custom, and the fastest delivery in the U.S.

The best is within your reach, your budget, and your schedule.

Hanson delivers the world's best fume hoods, at surprisingly competitive prices. Many of Hanson's standard design features are expensive options with other fume hood manufacturers.



Fume Hood Index

About HLF Fume Hoods.....6.2

5SA Series Benchtop Fume Hoods6.3

- General Purpose Benchtop Fume Hoods
- Hi-Line Benchtop Fume Hoods
- ADA Benchtop Fume Hoods

4SA Series Walk-In Fume Hoods6.6

- Vertical Sash Fume Hoods
- Horizontal Sash Fume Hoods

Planning / Buying Information6.8

- Sash Designs
- Operating Types
- Canopy Hoods / Extractor Arms
- Pre-Piping / Prewiring
- Ceiling Enclosures
- Dimensional Data
- Custom Hood Designs



The Hanson Hood

The HLF Advantage.....

With a 40-year history of dedication and experience in the laboratory market, Hanson Lab Furniture delivers a unique new generation of fume hoods, incorporating design excellence and superior safety and performance. Many of Hanson's standard design features are expensive options with other fume hood manufacturers. HLF hoods have been tested to ASHRAE-110-1995 specifications and are UL 1805 Listed, as manufactured. HLF bench top fume hoods meet ASHRAE-110-1995 specifications for 60 LFM at 18" sash opening for low airflow fume hood design.

Features and Benefits

Optimal View Sash Design

36" high safety glass gives you an optimal unobstructed sight line into the fume hood.

Optimal Sash Opening

30" full vertical sash opening for easier setup of lab processes and apparatus.

Stainless Steel Bottom Air Foil

Standard stainless steel flush sill bottom air foil gives you superior corrosion resistance than ordinary painted sills.

Stainless Steel Vented Finger Pull

Standard stainless steel vented sash finger pull provides a smooth sash operation and corrosion resistance.

Outer Access Panels

Removable outer access panels on both sides provide easy access for maintenance and for adding additional service fixtures in the future.

Stainless Steel Electrical

Stainless steel electrical plates, instead of plastic, are provided on electrical switches and receptacles as standard.

Junction Box Receptacle

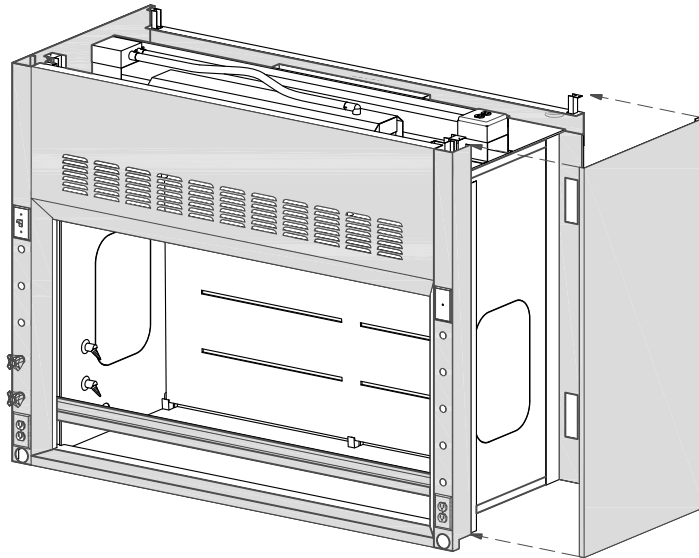
A standard duplex receptacle is provided on the junction box with rewiring of electrical fixtures.

Stainless Steel Exhaust Collar

A standard stainless steel exhaust collar in lieu of a painted collar is provided for superior corrosion resistance from chemical fumes.

Exterior Fluorescent Lighting

Exterior fluorescent lighting is located away from fumes and gives you excellent interior illumination.



Metal-Free Interior

Metal free interior with bright white interior liners provide superior resistance to chemicals and high temperatures.

Interior Access Panels

PVC soft-gasket interior access panels on both sides eliminate containment seepage into sidewalls.

Wire Management Chase

Our standard wire management chase system, exclusive on Hanson's bench top fume hoods, allows you to run cords or tubing into the hood instead of under the glass sash.

Full-Frame Construction

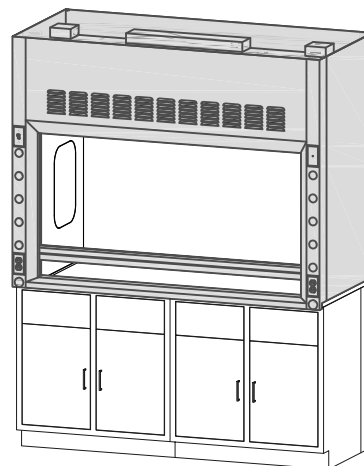
Interior and exterior panels are attached to a full-perimeter epoxy powder-coated steel frame for strength and durability.

Service Fixtures

Unique streamlined Color-Tech service fixtures are epoxy-coated and color-coded to each type of fixture required.

Constant Volume Bypass - Vertical Sash

- General purpose chemical fume hood.
- Standard electrical package includes a vapor-proof fluorescent light, light switch, and two 120V duplex receptacles.
- Stainless steel flush sill bottom air foil.
- 30-1/2" high sash opening with a 36" high sight line.
- Frameless sash with laminated safety glass and vented finger pull.
- Removable interior and exterior panels for access to service valves.
- A wire management chase is provided on both sides of the fume hood.
- Poly-resin glastic white interior liner, metal-free interior.
- UL 1805 Listed and meets ASHRAE 110-95 tests as manufactured.



Base Cabinets are optional.

Product Model Numbers				
Width	Depth 31-3/8"	Depth 37-3/8"	Depth 41-3/8"	Height
47"	5SA47A	5SA47B	5SA47C	53"
58"	5SA58A	5SA58B	5SA58C	53"
70"	5SA70A	5SA70B	5SA70C	53"
94"	5SA94A	5SA94B	5SA94C	53"
120"	5SA120A	5SA120B	5SA120C	53"

Note: 120" wide hoods have a split sash, with two vertical rising sash panels with a maximum 28" high sash opening.

Fume Hood Options and Accessories

- Service Fixtures
- Hood Counter Tops and Sink
- Base and Specialty Cabinets
- Monitors / Alarms
- Ceiling Enclosures
- Pre-piping and Prewiring
- Other Accessories

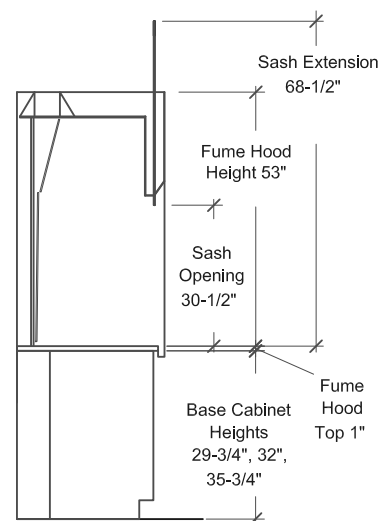
Sash Style Options

- Combination Sash -CS
- Split Sash -SPS
- Horizontal Sash -HS
- Double-Sided Hoods -DS

Fume Hood Types

- Restricted Bypass -RB
- Auxiliary Air -AA

Refer to HLF catalog pages for ordering information and descriptions.



5SA SERIES CFM EXHAUST VOLUMES .15 S.P.			
FUME HOOD WIDTH	EXHAUST COLLAR SIZE	CFM @100 LFM (18" SASH OPENING)	CFM @100 LFM (30-1/2" SASH OPENING)
47"	4" x 24"	475	790
58"	4" x 24"	600	1050
70"	4" x 24"	750	1300
94"	4" x 36"	1050	1800
120"	(2) 4" x 24"	1400 [Ⓐ]	1075 [Ⓑ]

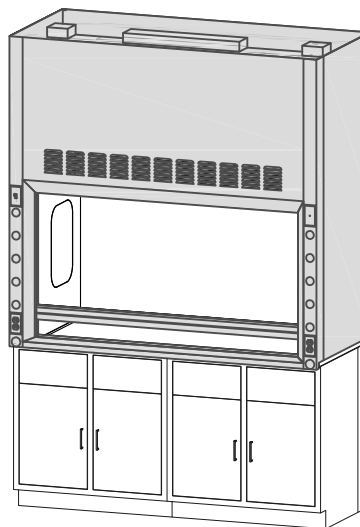
[Ⓐ] CFM is calculated with both split sashes open at 18".

[Ⓑ] CFM is calculated with one side of split sash fully open at 28" high.

CFM = Cubic Feet Per Minute
LFM = Linear Feet Per Minute

Constant Volume Bypass - Vertical Sash

- 66" high for extra interior height to accommodate apparatus up to 60" high.
- Standard electrical package includes a vapor-proof fluorescent light, light switch, and two 120V duplex receptacles.
- Stainless steel flush sill bottom air foil.
- 30-1/2" high sash opening with a 36" high sight line.
- Frameless sash with laminated safety glass and vented finger pull.
- Removable interior and exterior panels for access to service valves.
- A wire management chase is provided on both sides of the fume hood.
- Poly-resin glastic white interior liner, metal free interior.
- UL 1805 Listed and meets ASHRAE 110-95 tests as manufactured.



Base Cabinets are optional.

Product Model Numbers				
Width	Depth 31-3/8"	Depth 37-3/8"	Depth 41-3/8"	Height
47"	5SA47A-HL	5SA47B-HL	5SA47C-HL	66"
58"	5SA58A-HL	5SA58B-HL	5SA58C-HL	66"
70"	5SA70A-HL	5SA70B-HL	5SA70C-HL	66"
94"	5SA94A-HL	5SA94B-HL	5SA94C-HL	66"
120"	5SA120A-HL	5SA120B-HL	5SA120C-HL	66"

Note: 120" wide hoods have a split sash, with two vertical rising sash panels with a maximum 28" high sash opening.

Fume Hood Options and Accessories

- Service Fixtures
- Hood Counter Tops and Sink
- Base and Specialty Cabinets
- Monitors / Alarms
- Ceiling Enclosures
- Pre-piping and Prewiring
- Other Accessories

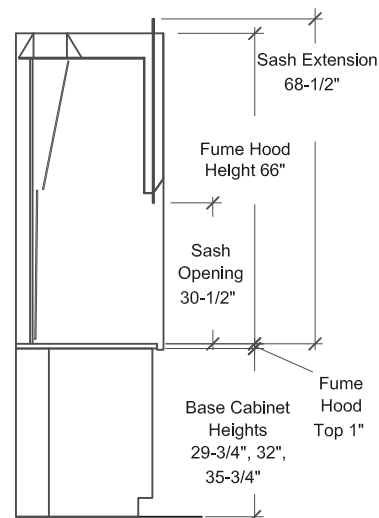
Sash Style Options

- Combination Sash -CS
- Split Sash -SPS
- Horizontal Sash -HS
- Double-Sided Hoods -DS

Fume Hood Types

- Restricted Bypass -RB
- Auxiliary Air -AA

Refer to HLF catalog pages for ordering information and descriptions.



5SA SERIES CFM EXHAUST VOLUMES .15 S.P.			
FUME HOOD WIDTH	EXHAUST COLLAR SIZE	CFM @100 LFM (18" SASH OPENING)	CFM @100 LFM (30-1/2" SASH OPENING)
47"	4" x 24"	475	790
58"	4" x 24"	600	1050
70"	4" x 24"	750	1300
94"	4" x 36"	1050	1800
120"	(2) 4" x 24"	1400 [Ⓐ]	1075 [Ⓑ]

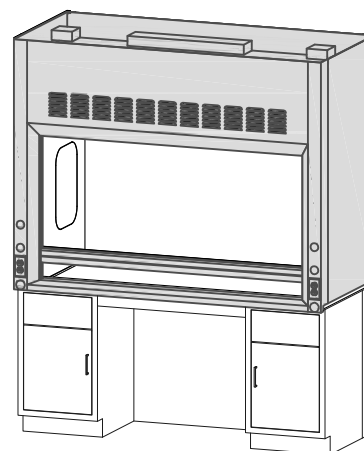
[Ⓐ] CFM is calculated with both split sashes open at 18".

[Ⓑ] CFM is calculated with one side of split sash fully open at 28" high.

CFM = Cubic Feet Per Minute
LFM = Linear Feet Per Minute

Constant Volume Bypass - Vertical Sash

- Designed to meet ADA guidelines of the American Disabilities Act.
- Electrical and optional service fixtures are located within reach of wheelchair-bound operators.
- Standard electrical package includes a vapor proof fluorescent light, light switch / 120V receptacle, and one 120V duplex receptacle.
- Stainless steel flush sill bottom air-foil.
- 30-1/2" high sash opening with a 36" high sight line.
- Frameless sash with laminated safety glass and vented finger pull.
- Removable interior and exterior panels for access to service valves.
- A wire management chase is provided on both sides of the fume hood.
- Poly-resin glastic white interior liner, metal-free interior.
- UL 1805 Listed and meets ASHRAE 110-95 tests as manufactured.



Base Cabinets are optional.

Product Model Numbers				
Width	Depth 31-3/8"	Depth 37-3/8"	Depth 41-3/8"	Height
47"	5SA47A-ADA	5SA47B-ADA	5SA47C-ADA	53"
58"	5SA58A-ADA	5SA58B-ADA	5SA58C-ADA	53"
70"	5SA70A-ADA	5SA70B-ADA	5SA70C-ADA	53"
94"	5SA94A-ADA	5SA94B-ADA	5SA94C-ADA	53"

Fume Hood Options and Accessories

- Service Fixtures
- Hood Counter Tops and Sink
- Base and Specialty Cabinets
- Monitors / Alarms
- Ceiling Enclosures
- Pre-piping and Prewiring
- Other Accessories

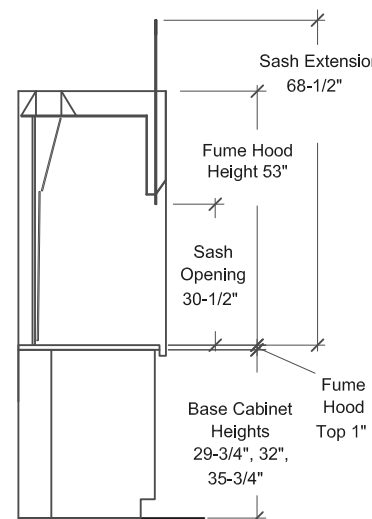
Sash Style Options

- Combination Sash -CS
- Horizontal Sash -HS
- Double-Sided Hoods -DS

Fume Hood Types

- Restricted Bypass -RB
- Auxiliary Air -AA

Refer to HLF catalog pages for ordering information and descriptions.

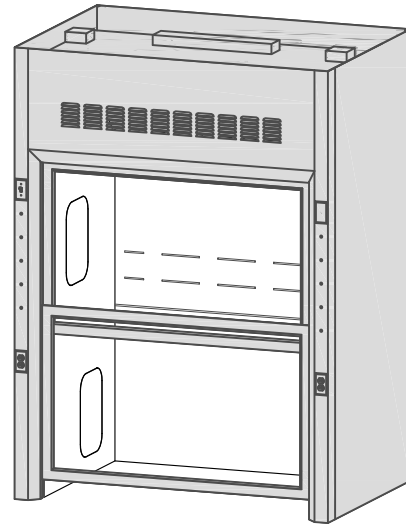


5SA SERIES CFM EXHAUST VOLUMES .15 S.P.			
FUME HOOD WIDTH	EXHAUST COLLAR SIZE	CFM @100 LFM (18" SASH OPENING)	CFM @100 LFM (30-1/2" SASH OPENING)
47"	4" x 24"	475	790
58"	4" x 24"	600	1050
70"	4" x 24"	750	1300
94"	4" x 36"	1050	1800

CFM = Cubic Feet Per Minute
LFM = Linear Feet Per Minute

Constant Volume Bypass Vertical Sash - WIV

- Designed for large equipment and apparatus.
- Standard electrical package includes a vapor-proof fluorescent light, light switch, and two 120V duplex receptacles.
- Framed sash with laminated safety glass with vented airfoil design.
- Removable interior and exterior panels for access to service valves.
- Poly-resin glastic white interior liner, metal-free interior.
- Walk-In fume hoods are shipped knocked down for assembly at job site.
- UL 1805 Listed and meets ASHRAE 110-95 tests as manufactured.



Product Model Numbers			
Width	Depth 36" O.D.	Depth 47-1/2" O.D.	Height
47"	4SA47AWIV	4SA47BWIV	96"
58"	4SA58AWIV	4SA58BWIV	96"
70"	4SA70AWIV	4SA70BWIV	96"
94"	4SA94AWIV	4SA94BWIV	96"

Note: For walk-in hoods ordered with a combination sash, the top inner sash has the horizontal sliding panels.

Fume Hood Options and Accessories

- Service Fixtures
- Side-Mounted Cup Sinks
- Monitors / Alarms
- Ceiling Enclosures
- Prewired and Pre-piped
- Other Accessories

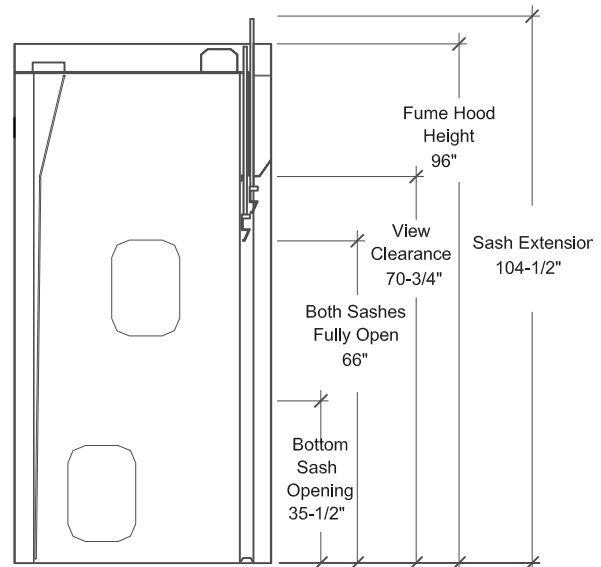
Sash Style Options

- Combination Sash -CS
- Double-Sided Hoods -DS

Fume Hood Types

- Restricted Bypass -RB
- Auxiliary Air -AA

Refer to HLF catalog pages for ordering information and descriptions.

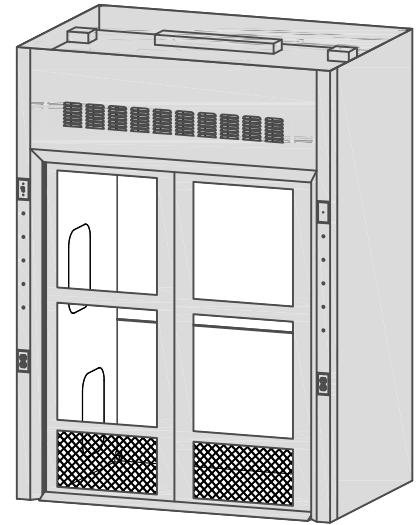


4SA-WIV SERIES CFM EXHAUST VOLUMES .15 S.P.			
FUME HOOD WIDTH	EXHAUST COLLAR SIZE	CFM @100 LFM (18" SASH OPENING)	CFM @100 LFM (BOTTOM SASH FULLY OPEN - 35-3/4")
47"	4" x 24"	475	950
58"	4" x 24"	600	1200
70"	4" x 24"	750	1500
94"	4" x 36"	1050	2100

CFM = Cubic Feet Per Minute
LFM = Linear Feet Per Minute

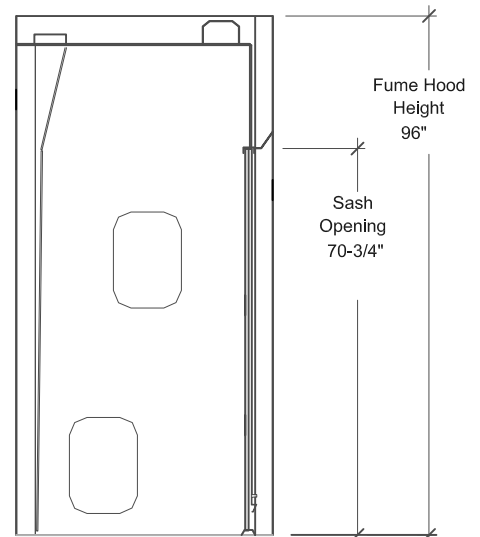
Constant Volume Bypass Horizontal Sash - WIH

- Designed for large equipment and apparatus.
- Standard electrical package includes a vapor-proof fluorescent light, light switch, and two 120V duplex receptacles.
- Framed sash with laminated safety glass.
- Removable interior and exterior panels for access to service valves.
- 47", 58", and 70" hoods have two sliding doors.
- 94" and 120" hoods have four sliding doors.
- 144" hoods have six sliding doors.
- Poly-resin glastic white interior liner, metal-free interior.
- Walk-In fume hoods are shipped knocked down for assembly at job site.
- UL 1805 Listed and meets ASHRAE 110-95 tests as manufactured.



Product Model Numbers				
Width	Depth 36" O.D.	Depth 47-1/2" O.D.	Height	Number of Doors
47"	4SA47AWIH	4SA47BWIH	96"	2
58"	4SA58AWIH	4SA58BWIH	96"	2
70"	4SA70AWIH	4SA70BWIH	96"	2
94"	4SA94AWIH	4SA94BWIH	96"	4
120"	4SA47AWIH	4SA47BWIH	96"	4
144"	4SA58AWIH	4SA58BWIH	96"	6

Note: (2) Two sliding door tracks are provided on all size horizontal sash walk-in fume hoods.



Fume Hood Options and Accessories

- Service Fixtures
- Side-Mounted Cup Sinks
- Monitors / Alarms
- Ceiling Enclosures
- Prewired and Pre-piped
- Other Accessories

Sash Style Options

- Double-Sided Hoods -DS

Fume Hood Types

- Restricted Bypass -RB
- Auxiliary Air -AA

Refer to HLF catalog pages for ordering information and descriptions.

4SA-WIH SERIES CFM EXHAUST VOLUMES .15 S.P.			
FUME HOOD WIDTH	EXHAUST COLLAR SIZE	CFM @100 LFM (18" SASH OPENING)	CFM @100 LFM (FULL SASH OPENING)
47"	4" x 24"	1000	1075
58"	4" x 24"	1050	1375
70"	4" x 24"	1075	1700
94"	4" x 36"	1300	2400
120"	(2) 4" x 24"	1450	3175
144"	(2) 4" x 24"	1600	3900

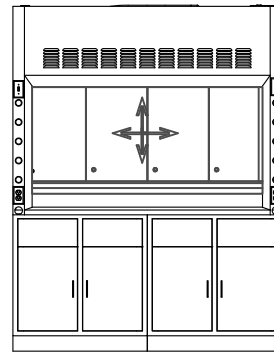
CFM = Cubic Feet Per Minute
LFM = Linear Feet Per Minute

CS - Combination Sash

Horizontal / Vertical

- Incorporates both a vertical rising sash and a horizontal sliding sash.
- Check with your HLF representative to see how many horizontal panels are provided with each size fume hood.
- To specify a combination sash design, add -CS at the end of the fume hood model number.

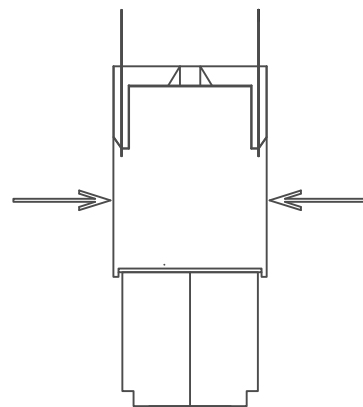
Model
-CS



DS - Double-Sided Fume Hoods

- Used with applications where access to the inside of the hood is required from the front and back.
- Service fixtures and electrical can also be positioned on both sides.
- To specify a double-sided hood, add -DS at the end of the fume hood model number.

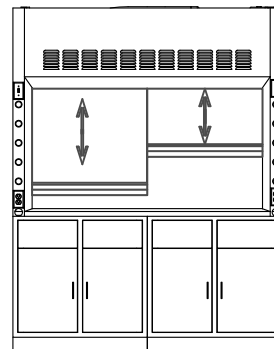
Model
-DS



SPS - Split Sash

- Two independent vertical sashes open on a post-less track design.
- To specify a split sash, specify -SPS at the end of the fume hood model number.

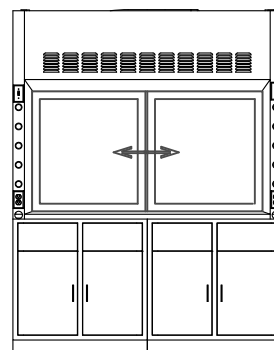
Model
-SPS



HS - Horizontal Sash

- Uses sliding horizontal sash panels instead of vertical rising panels.
- Check with your HLF representative to see how many horizontal panels are provided with each size fume hood.
- To specify a horizontal sash, add -HS at the end of the fume hood model number.

Model
-HS



RB - Restricted Bypass Fume Hoods

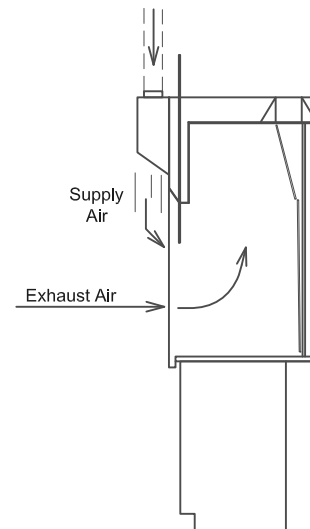
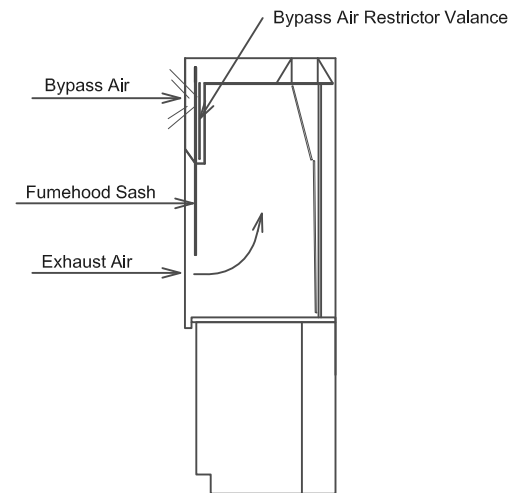
- Designed to limit the bypass area, typically used in conjunction when Variable Air Volume (VAV) exhaust systems are installed on the building's HVAC system.
- VAV- is a type of fume hood exhaust system that typically maintains constant fume hood face velocity by adjusting blower motor speed or a balance damper in response to changes in the sash position.
- To specify a restricted bypass hood, add -RB at the end of the fume hood model number.

Model
-RB

AA - Auxiliary Air Fume Hoods

- Used to reduce the amount of room air exhausting from the room by introducing outside air through a bonnet at the top of the fume hood. A separate supply air exhaust system is required.
- To specify an auxiliary air hood, add -AA at the end of the fume hood model number.
- Note: It is recommended that no more than 25% supply air is brought in through the supply bonnet.

Model
-AA

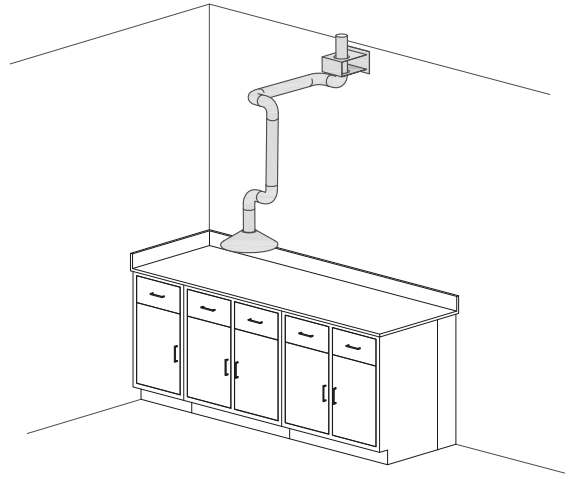


Fume Hood Options and Accessories

- Fumehood cabinets, Acid storage, Flammable storage, and Vacuum pump cabinets.
- Remote service fixtures.
- Internal pre-piping of service fixtures.
- Fume hood tops, sinks.
- Additional electrical options.
- Internal pre-wiring of electrical on hoods to a junction box at the top of the hood.
- Air flow monitor / alarm.
- Distillation lattice rod assemblies.
- Fume hood ceiling enclosures.

Fume Extractor Arms

- A localized fume extractor with articulated joints lets you position the exhaust where you need it.
- Available in wall, ceiling, or bench top mounting bracket options.
- Extractors must be connected to a building exhaust system.
- For more information on sizes and styles, contact your HLF representative.

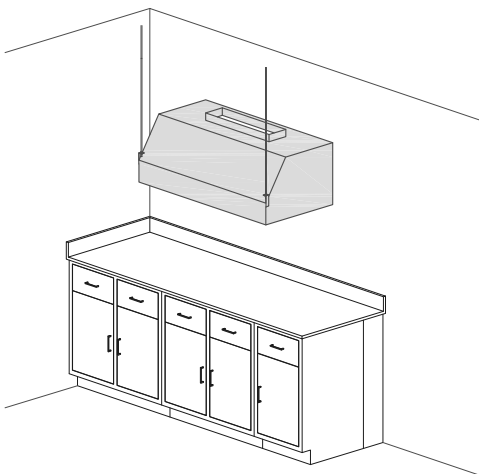


Canopy Hoods

- Canopy hoods are designed to exhaust heat, steam, or odors when mounted over laboratory benches above equipment.
- Manufactured from 18 ga. cold rolled steel with the same chemical resistant finish as the HLF casework or with stainless steel construction.
- Connecting ductwork is not included.
- Threaded rods are included for installation to the ceiling structure.
- For stainless steel construction, add -SS at the end of the model number.

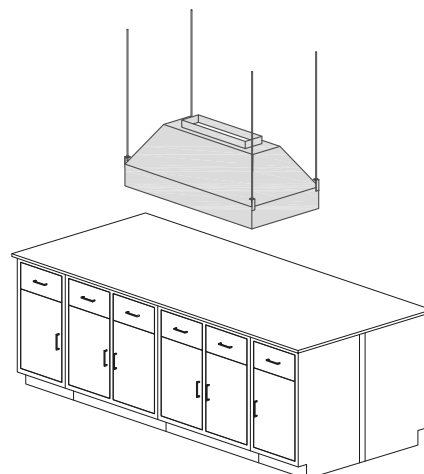
Wall Mounted Canopy Hoods

Model	Width	Depth	Style
CHW3624	36"	24"	Wall
CHW3630	36"	30"	Wall
CHW3636	36"	36"	Wall
CHW4824	48"	24"	Wall
CHW4830	48"	30"	Wall
CHW4836	48"	36"	Wall
CHW5824	58"	24"	Wall
CHW5830	58"	30"	Wall
CHW5836	58"	36"	Wall
CHW7224	72"	24"	Wall
CHW7230	72"	30"	Wall
CHW7236	72"	36"	Wall



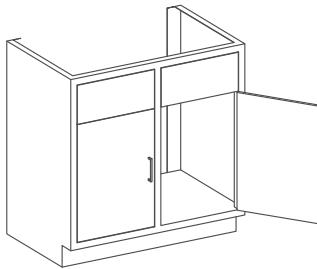
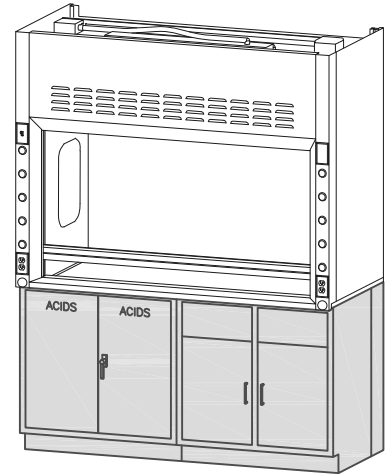
Island Mounted Canopy Hoods

Model	Width	Depth	Style
CHI3624	36"	24"	Island
CHI3630	36"	30"	Island
CHI3636	36"	36"	Island
CHI4824	48"	24"	Island
CHI4830	48"	30"	Island
CHI4836	48"	36"	Island
CHI5824	58"	24"	Island
CHI5830	58"	30"	Island
CHI5836	58"	36"	Island
CHI7224	72"	24"	Island
CHI7230	72"	30"	Island
CHI7236	72"	36"	Island

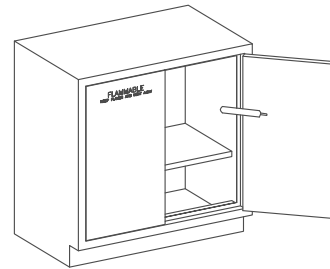


Fume Hood Cabinet Options

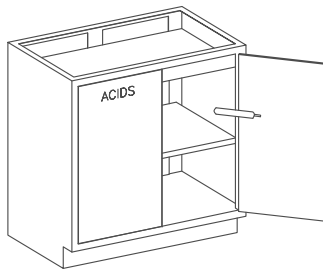
- Base cabinets are used to support bench top fume hoods. Cabinet styles include fume hood cabinets, acid and flammable storage cabinets, and vacuum pump cabinets.
- *For the complete line of cabinets for fume hoods, see the specialty cabinet section in the base cabinet section of this catalog.*



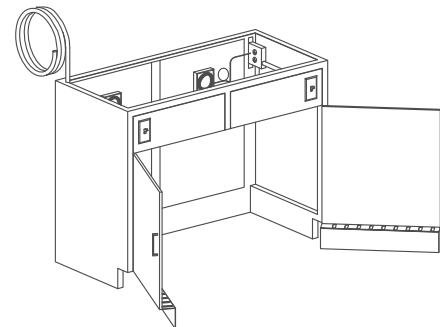
Fume Hood Base Cabinets



Flammable Cabinets



Acid / Corrosive Storage Cabinets



Vacuum Pump Cabinets


Fume Hood Service Fixtures

- Remote control needle valve with black nylon handle with color coded index button and color coded serrated tip.
- Services will be mounted on the fume hood, without internal piping.
- Optional pre-piping of service fittings are available. See pre-piping section.

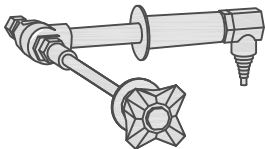
Service Fitting Color Code:

Air.....	Orange
Cold Water.....	Dark Green
Distilled Water.....	White
Gas.....	Dark Blue
Hot Water.....	Red
Argon.....	Violet
Nitrogen.....	Brown
Oxygen.....	Light Green
Special Gases.....	Light Blue
Steam.....	Black
Vacuum.....	Yellow


Remote Water Valve

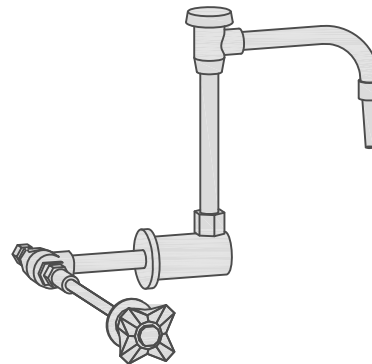
Model	Type
CT3185W	Cold Water 
CT3185WTL	DI water - Tin lined

DI water fixtures cannot be pre-piped.




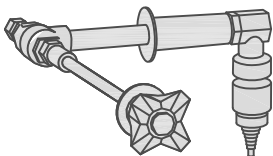
Remote Water Valve With Gooseneck

Model	Type
 CT3185W-L074VB	Cold Water



Remote Water Valve With Vacuum Breaker

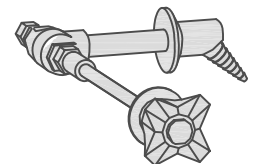
Model	Type
CT3185WL110	In-line type 



Remote Valves for Air, Gases or Vacuum

Model	Type
CT3185N-LR-Air	Air
CT3185N-LR-Vac	Vacuum
CT3185N-LR-Gas	Gas
CT3185N-LR-Nit	Nitrogen
CT3185N-LR-Ar	Argon

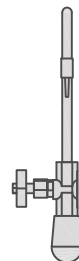
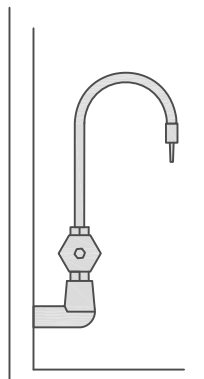
Other specialty gases are available. Contact your HLF representative for more information.



DI Water- Panel Mounted

- All polypropylene construction, non-remote type.
- Cannot be factory pre-piped.

Model	Type
LG-WN-R2	Right hand
LG-WN-L2	Left hand





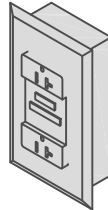
Fume Hood Electrical Options

- All HLF fume hoods have a standard electrical package, which includes two 115V duplex receptacles, a fluorescent light, and light switch.
- Below are other electrical options available.

GFI Duplex Receptacle

- 120V Ground fault protected duplex outlets.

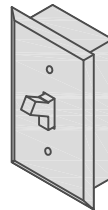
Model	Type
 GFI	Adds one GFI to the existing electrical package.
 GFIR	Replaces both standard duplex receptacles with GFI outlets.



Blower Switch



- A separate toggle switch to operate the blower / fan, 120V 20A.


 Model
EMBS

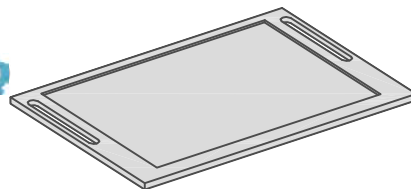


Fume Hood Counter Tops

- Fume hood tops are 1" thick molded epoxy resin with a 3/8" integrally molded containment area designed to ease cleanups from chemical spills inside the fume hood. Color: Black Onyx
- Service slots are provided on each side of the fume hood top.


Model	Width	Depth
EHT47A	47"	30" 
EHT47B	47"	36"
EHT47C	47"	40"
EHT58A	58"	30"
EHT58B	58"	36"
EHT58C	58"	40"
EHT70A	70"	30" 
EHT70B	70"	36"
EHT70C	70"	40"
EHT94A	94"	30"
EHT94B	94"	36"
EHT94C	94"	40"
EHT120A	120"	30"
EHT120B	120"	36"
EHT120C	120"	40"

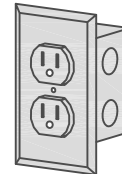
 Note: Fume hood counter tops have right rear cupsink cutout.



Duplex Receptacle

- 120V 20A single duplex receptacle.

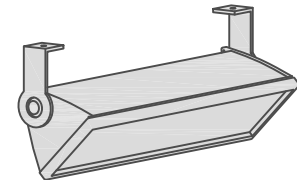
Model
E2300 



Explosion-Resistant Light

- Explosion-resistant fluorescent light is mounted inside of the hood.
- Cannot be factory prewired.


Model
EXFLT



Fume Hood Cupsinks

- Cupsinks are used as a drain inside the hood.
- Made of black polypropylene, cupsinks install in the fume hood counter top or side panel of walk-in fume hoods.
- Multiple cupsinks and locations can be specified.

Counter Mounted

 Model Size
CS4R 3 x 6 Oval



Panel Mounted

Model Size
CS4R-PM 3 x 6 Oval



Air Flow Monitor / Alarm

- Continuously monitors airflow velocity using internal sensors measuring fume hood pressure.
- Visual and Audible alarm sounds when hood sash height is in an unsafe mode.
- Airflow monitors are factory installed.
- Contact your HLF representative for full specifications on models available.

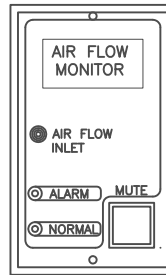
Model: AFM

LED lights signal both alarm and normal operating modes.

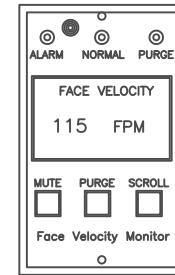
Model: AFMD

Maintains a constant digital display of the fume hood face velocities.

LED lights signal both alarm and normal operating modes.



AFM

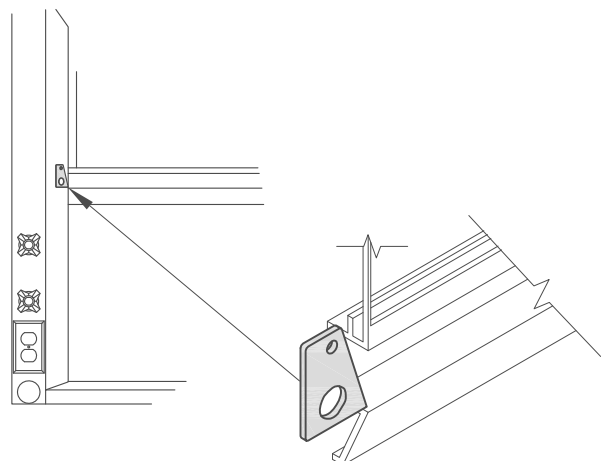
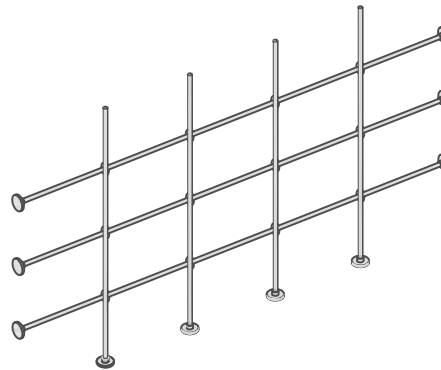


AFMD

Fume Hood Lattice Rod Assemblies

- Solid 1/2" aluminum rod assemblies consisting of horizontal and vertical rods, adjustable clamps, and mounting flanges used to support apparatus inside the fume hood.
- Parts are shipped loose for assembly and installation at the job site.

Model	Style	F.H. Size
AAP47	Benchtop	47"
AAP58	Benchtop	58"
AAP70	Benchtop	70"
AAP94	Benchtop	94"
AAP120	Benchtop	120"
AAP47WI	Walk-In	47"
AAP58WI	Walk-In	58"
AAP70WI	Walk-In	70"
AAP94WI	Walk-In	94"
AAP120WI	Walk-In	120"
AAP144WI	Walk-In	144"



Mechanical Sash Stop

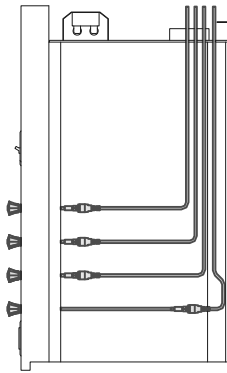
- Designed to stop the fume hood sash from rising above a certain point. The stop can be overridden to allow the sash to fully open when needed to set up equipment inside the hood.
- Unless otherwise specified, the stop will be mounted on the left side, at an 18" sash opening.

Model
MSS

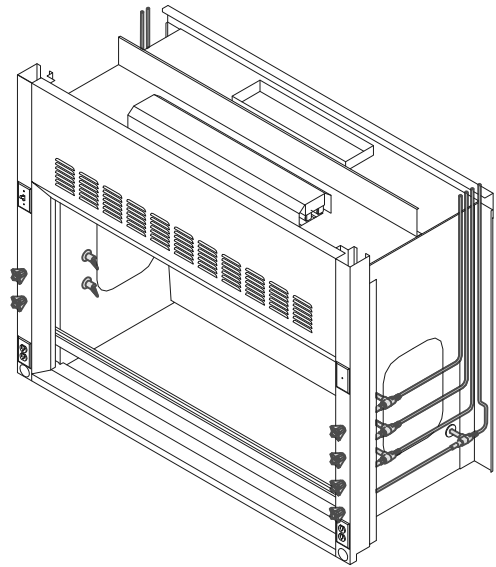
Pre-Piped Service Fixture Option

- Fume hood service fixtures are mounted and internally pre-piped at the factory. DI water fixtures are mounted but not pre-piped.

Model	Description
PREPIPE-UP	Services are piped up to the top of the hood for final connection.
PREPIPE-DN	Services are piped down to the bottom of the hood for final connection.



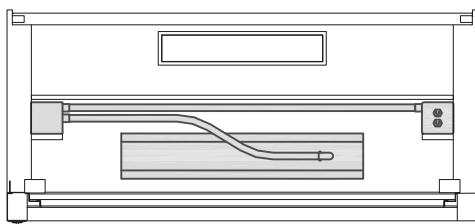
Typical Pre-Piping - UP



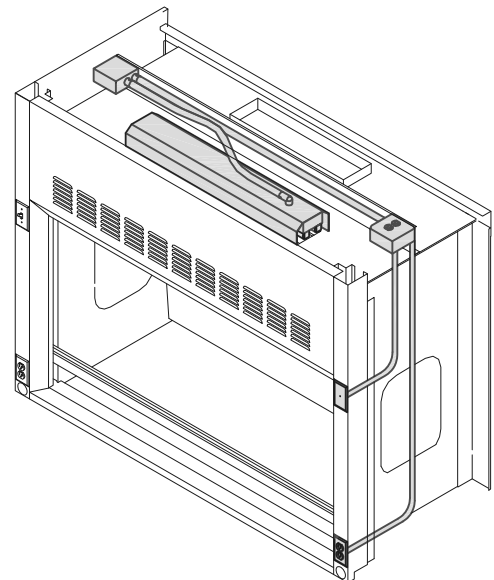
Pre-Wiring Electrical Option

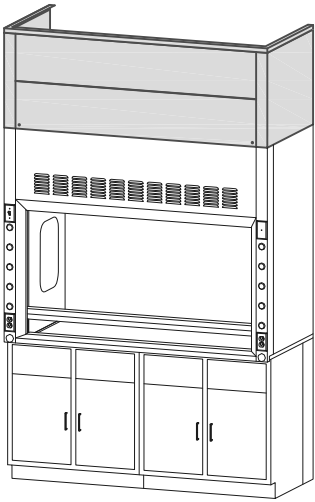
- Fume hood electrical fixtures and lights are mounted and internally wired at the factory to a junction box at the top of the hood.
- A duplex receptacle is also provided at the junction box for an optional monitor / alarm.

Model
PREWIRE



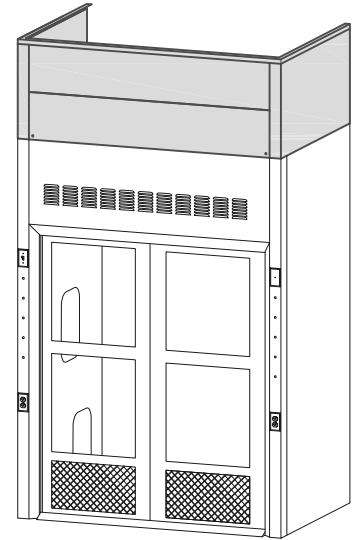
Typical Pre-Wiring





Fume Hood Ceiling Enclosures

- Provides a finished appearance and encloses the space from the top of the fume hood to the ceiling.
- A removable front panel is provided for access.
- Enclosures can be field trimmed as required.
- Finished to match the fume hood.



Ceiling Enclosures

5SA Bench Top Fume Hoods

Model	Depth	Width
CE47A	31-3/8"	47"
CE47B	37-3/8"	47"
CE47C	41-3/8"	47"
CE58A	31-3/8"	58"
CE58B	37-3/8"	58"
CE58C	41-3/8"	58"
CE70A	31-3/8"	70"
CE70B	37-3/8"	70"
CE70C	41-3/8"	70"
CE94A	31-3/8"	94"
CE94B	37-3/8"	94"
CE94C	41-3/8"	94"
CE120A	31-3/8"	120"
CE120B	37-3/8"	120"
CE120C	41-3/8"	120"

Note: A verified ceiling height is required for manufacturing the correct height of enclosure.

Ceiling Enclosures

4SA Walk-In Fume Hoods

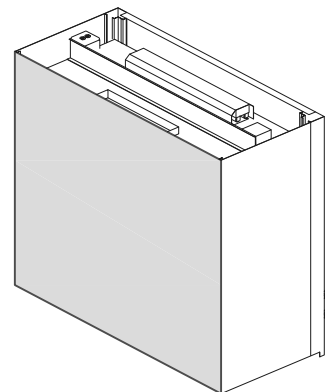
Model	Depth	Width
CEWI47A	36"	47"
CEWI47B	47-1/2"	47"
CEWI58A	36"	58"
CEWI58B	47-1/2"	58"
CEWI70A	36"	70"
CEWI70B	47-1/2"	70"
CEWI94A	36"	94"
CEWI94B	47-1/2"	94"
CEWI120A	36"	120"
CEWI120B	47-1/2"	120"
CEWI144A	36"	144"
CEWI144B	47-1/2"	144"

Note: A verified ceiling height is required for manufacturing the correct height of enclosure.

Fume Hood Finished Back Panels

- Used to enclose the back of fume hoods when exposed.
- Finished to match the fume hood.
- Installed at the factory.
- To order a finished back, specify -HFB at the end of the fume hood model number.

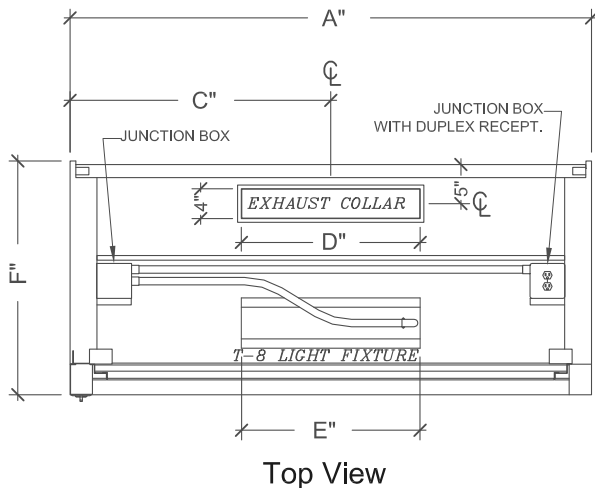
Model
-HFB



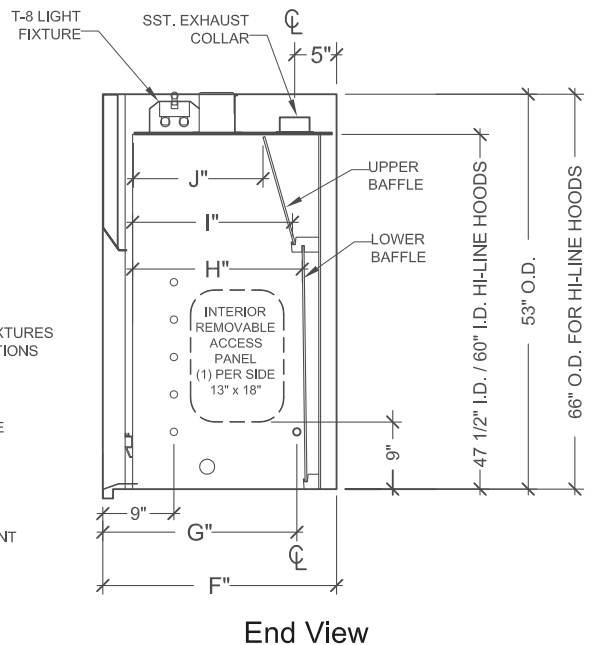
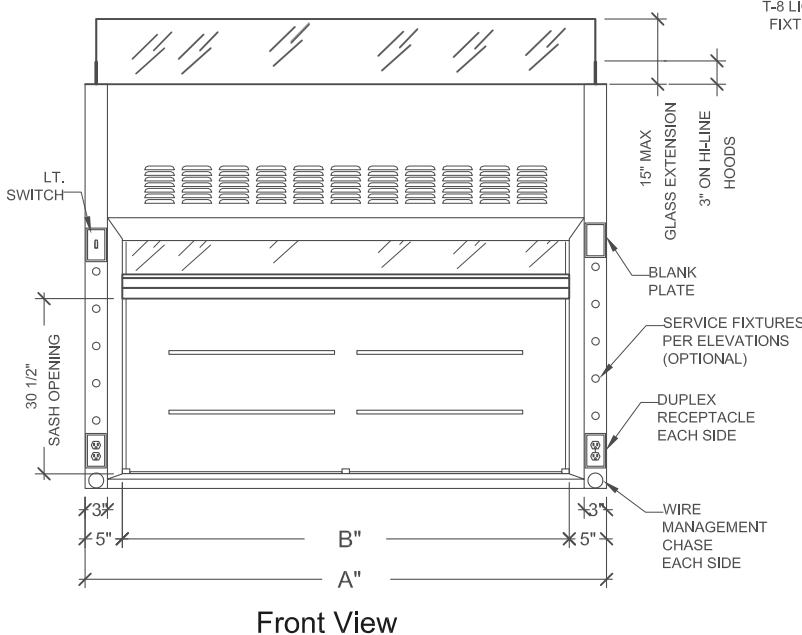
- Fume hoods are shown with HLF standard construction.
- Fume hood standard electrical package is shown with optional factory prewiring to a junction box located on the top of the hood.
- A complete selection of options and accessories are located in the HLF fume hood section.
- Contact your HLF representative for custom designs or other fume hood information.

The dimensions shown are for the following 5SA Series fume hoods:

- General Purpose Bench Top Hoods
- Hi-Line Bench Top Hoods
- ADA Bench Top Hoods



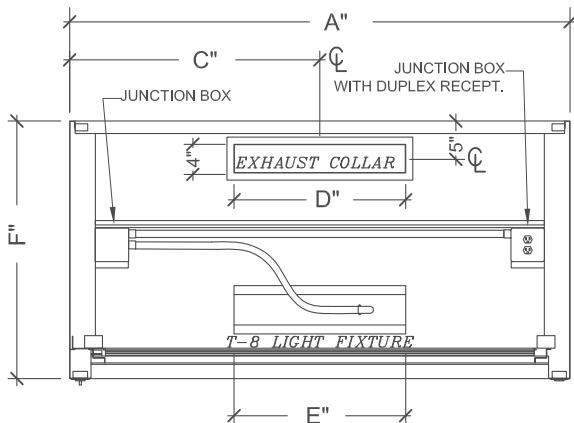
5SA Series Dimensional Chart					
Model	A	B	C	D	E
5SA47A	47"	37"	23.5"	24"	24"
5SA58A	58"	48"	29"	24"	24"
5SA70A	70"	60"	35"	24"	24"
5SA94A	94"	84"	47"	36"	24"
5SA120A	120"	110"	*2@30"	24"	24"
5SA47B	47"	37"	23.5"	24"	24"
5SA58B	58"	48"	29"	24"	24"
5SA70B	70"	60"	35"	24"	24"
5SA94B	94"	84"	47"	36"	24"
5SA120B	120"	110"	*2@30"	24"	24"
5SA47C	47"	37"	23.5"	24"	24"
5SA58C	58"	48"	29"	24"	24"
5SA70C	70"	60"	35"	24"	24"
5SA94C	94"	84"	47"	36"	24" QTY-2
5SA120C	120"	110"	*2@30"	24"	24" QTY-2
*CENTER LINE OF COLLARS FROM EITHER END					
Model	F	G	H	I	J
5SA-A	31-3/8"	25-7/8"	23-1/2"	22"	19-1/2"
5SA-B	37-3/8"	31-7/8"	29-1/2"	28"	25-1/2"
5SA-C	41-3/8"	35-7/8"	33-1/2"	32"	29-1/2"
NOTE: "G" DIMENSIONS REPRESENT THE WATER SERVICE FIXTURE FOR CUP SINKS LOCATED AT THE BACK.					



- Fume hoods are shown with HLF standard construction.
- Fume hood standard electrical package is shown with optional factory prewiring to a junction box located on the top of the hood.
- A complete selection of options and accessories are located in the HLF fume hood section.
- Contact your HLF representative for custom designs or other fume hood information.

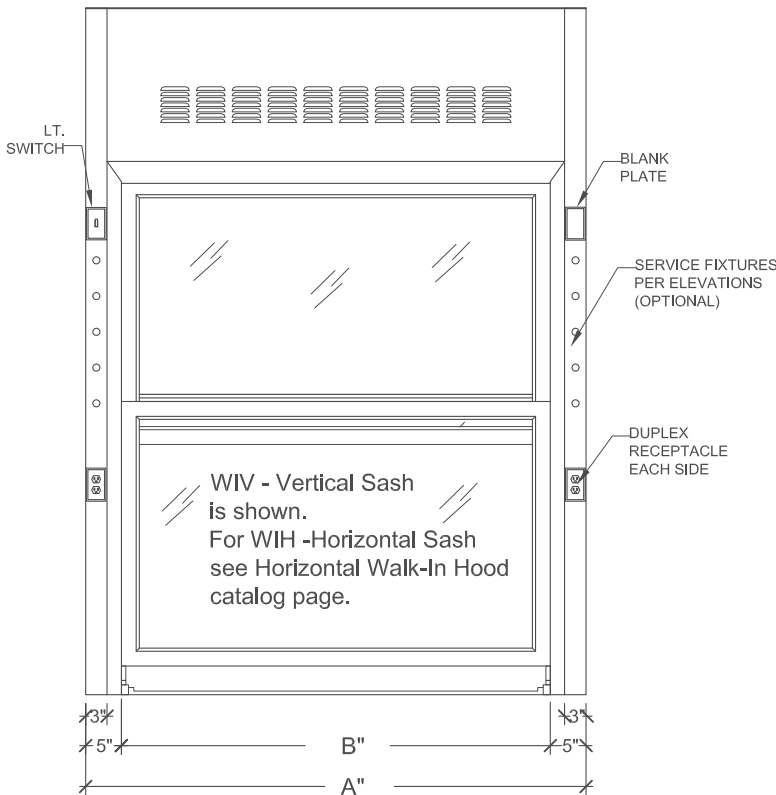
The dimensions shown are for the following 4SA Series fume hoods:

- Walk-In Vertical Sash Fume Hoods
- Walk-In Horizontal Sash Fume Hoods

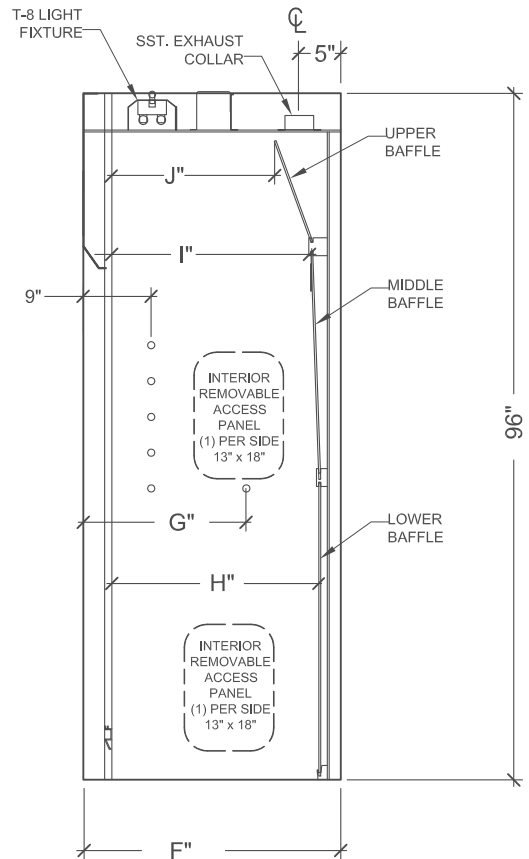


Top View

4SA Series Dimensional Chart					
Model	A	B	C	D	E
4SA47A	47"	37"	23.5"	24"	24"
4SA58A	58"	48"	29"	24"	24"
4SA70A	70"	60"	35"	24"	24"
4SA94A	94"	84"	47"	36"	24"
4SA120A	120"	110"	*2@30"	36"	24"
4SA47B	47"	37"	23.5"	24"	24"
4SA58B	58"	48"	29"	24"	24"
4SA70B	70"	60"	35"	24"	24"
4SA94B	94"	84"	47"	36"	24" QTY-2
4SA120B	120"	110"	*2@30"	36"	24" QTY-2
*CENTER LINE OF COLLARS FROM EITHER END					
Model	F	G	H	I	J
4SA-A	36"	8-3/8"	25-1/2"	24-1/2"	20-1/2"
4SA-B	47-1/2"	19-7/8"	37"	36"	32"
NOTE: "G" DIMENSIONS REPRESENT THE WATER SERVICE FIXTURE FOR CUP SINKS LOCATED AT THE BACK.					



Front View



End View

HLF can provide an oversized walk-in hood for that special application. Choose from some of the popular sizes below at considerable cost savings and shorter lead time compared to other manufacturers' custom hoods.

The following Walk-In hoods are available with Horizontal or Vertical sash designs.

POPULAR SIZES AVAILABLE:

Width	Depth	Height
94"	60"	96"
94"	72"	96"
94"	48"	120"
94"	60"	120"
94"	72"	120"
120"	48"	120"
120"	60"	120"
120"	72"	120"
144"	48"	120"
144"	60"	120"
144"	72"	120"
180" (15')	48"	120"
180" (15')	60"	120"
180" (15')	72"	120"



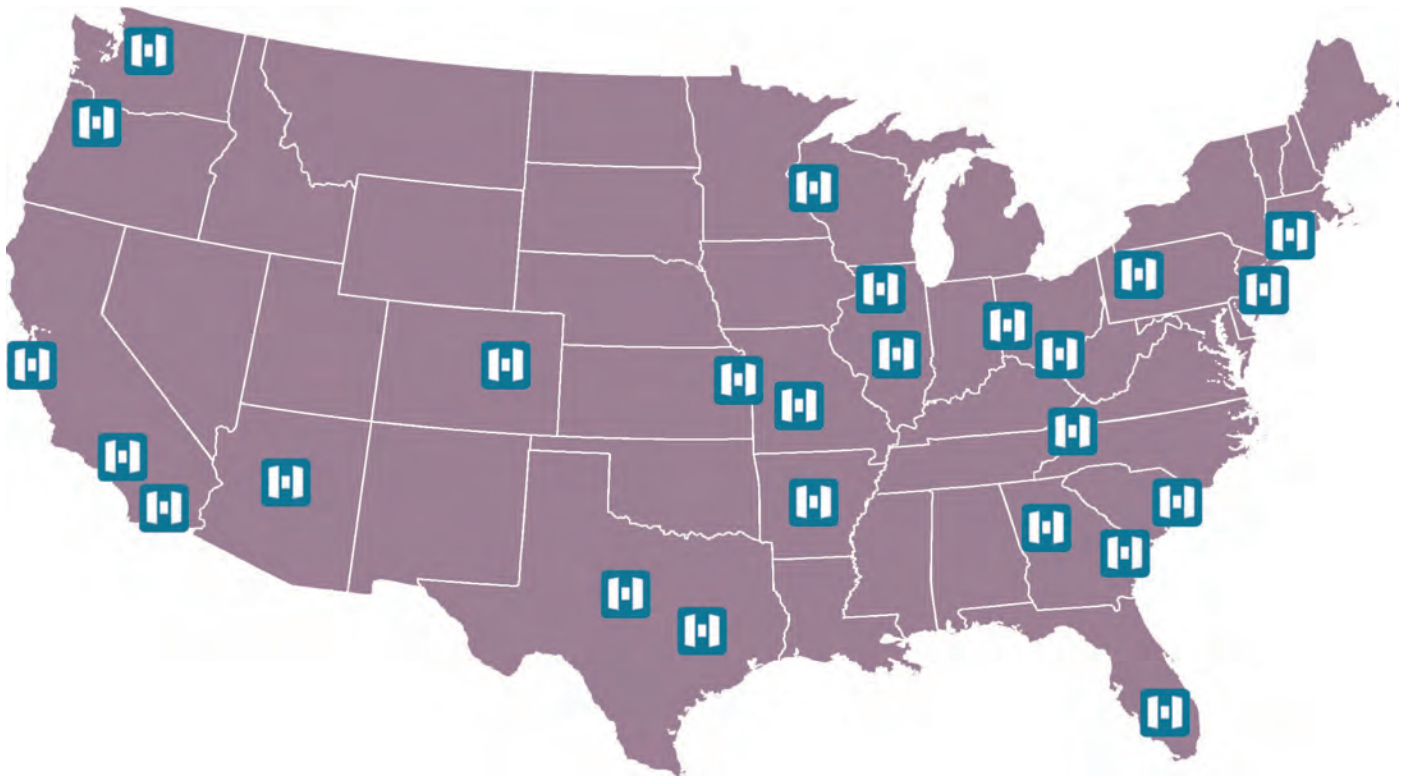
For more information on custom built benchtop or walk-in fume hoods, contact your HLF representative.





Where To Find HLS

Our Lab Professionals Serve Customers Throughout The U.S.



Here's what we deliver to our customers:

- Design and conceptual planning
- Installation
- Engineering
- National HLS representation with project management and installation support
- Support for engineers and contractors. Let us help you develop your new lab.
- Ideas and suggestions for how to do it better, faster, and cheaper
- Custom looks for standard costs: if you want a custom lab, we can show you how you may be able to achieve the same look with custom configuration of standard products.
- And if you really need custom pieces, we're vertically integrated, with design, manufacturing, and expert installation in one company. So we are likely to be able to deliver custom furniture and fume hoods at lower costs than you might expect.
- The fastest delivery in the industry. In every category. Period.

Ready to get started? We're here to serve you.

Call us at 1-805-498-3121
Email us at info@hansonlab.com
Or call your HLS representative