

Shelving

Shelving options for every need, budget, and design solution

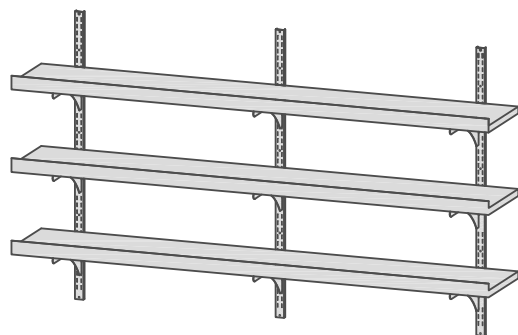
The right shelving choice makes a big difference in the functionality of your lab.

Hanson offers a variety of shelving options for all of your storage needs. We offer everything from economical fixed island and wall shelving to adjustable shelving that can be reconfigured to fit changing applications.

Shelving Index

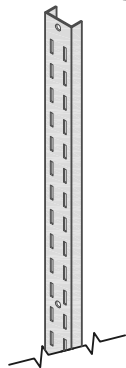
Wall Shelving	4.2
Standard Duty	
Heavy Duty	
Island Shelving	4.4
Fixed Height	
Pole Uprights System	
Box Uprights System	
Adjustable Height	
Bench Top System	
Floor-Mounted System	
Shelving System Styles, Sizes, and Applications	4.8





Wall Standards

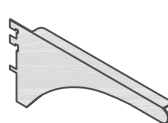
Model	Size
85ANO24	1-1/4"W x 24"H
85ANO36	1-1/4"W x 36"H
85ANO48	1-1/4"W x 48"H
85ANO60	1-1/4"W x 60"H
85ANO72	1-1/4"W x 72"H
85ANO84	1-1/4"W x 84"H
85ANO96	1-1/4"W x 96"H



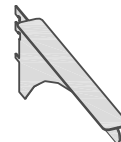
Double Slotted Standard

Standard Wall Shelving System

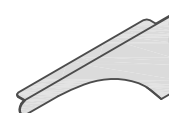
- An economical wall shelving system.
- Shelves are adjustable in 1" increments.
- In-wall backing required for all wall shelving.
- 16 ga. steel wall standards, 1-1/4"w. x 1/2"d.
- 16 ga. steel flanged shelf brackets.
- Brackets and standards are anochrome color.



Left hand bracket



Center bracket



Right hand bracket

Under Shelf Brackets

Model	Size	Used with:	Type
183LRANO-12	11"	12"D shelves	Left & Right Hand
183CANO-12	11"	12"D shelves	Center Bracket
183LRANO-14	13"	14"D shelves	Left & Right Hand
183CANO-14	13"	14"D shelves	Center Bracket
183LRANO-16	15"	16"D shelves	Left & Right Hand
183CANO-16	15"	16"D shelves	Center Bracket

Left & Right brackets are provided as a set.

Note: Undershelf style brackets cannot be used with HDS heavy duty style wall standards.

Plastic Laminate Shelving - SPL

Phenolic Resin Shelving - SPR

- 1" thick laminate shelves with 1" high front 3mm PVC retainer lip (black).
- 3/4" thick black phenolic shelves with front retainer lip. Contact your HLF representative for material options for retainer lips.
- Center bracket and additional wall standard required for shelves 60" and over for laminate or phenolic shelves.
- Specify SPL for laminate or SPR for phenolic shelves at the beginning of the model numbers below.

Model	Shelf Width	Shelf Depth
___3412	34"	12"
___4212	42"	12"
___4612	46"	12"
___5812	58"	12"
___7012	70"	12"
___3414	34"	14"
___4214	42"	14"
___4614	46"	14"
___5814	58"	14"
___7014	70"	14"
___3416	34"	16"
___4216	42"	16"
___4616	46"	16"
___5816	58"	16"
___7016	70"	16"

Painted Steel Shelving - SMS

- 1" thick 16 ga. painted steel with front retainer lip.
- Available in HLF standard colors to match casework.

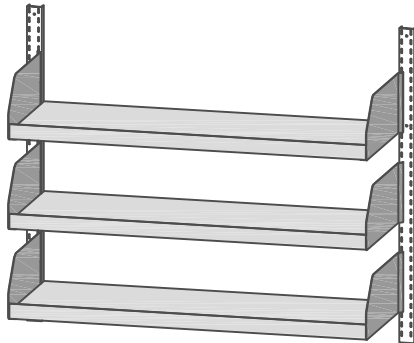
Model	Shelf Width	Shelf Depth
SMS3412	34"	12"
SMS4212	42"	12"
SMS4612	46"	12"
SMS5812	58"	12"
SMS7012	70"	12"
SMS3414	34"	14"
SMS4214	42"	14"
SMS4614	46"	14"
SMS5814	58"	14"
SMS7014	70"	14"
SMS3416	34"	16"
SMS4216	42"	16"
SMS4616	46"	16"
SMS5816	58"	16"
SMS7016	70"	16"

Shelf Retainer Lips - LIP

- Painted metal shelf lips attach to underside of shelf.

Model - specify shelf width

LIP - _____



Heavy Duty Wall Shelving System

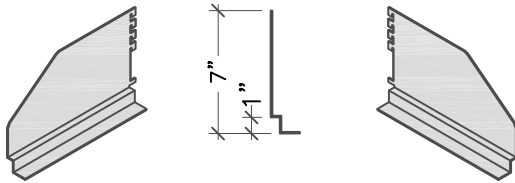
- Heavy duty laboratory wall shelving system.
- Shelves are adjustable in 1" increments.
- In-wall backing required for all wall shelving.
- Wall standards and brackets are painted to match casework.
- Shelving is available in plastic laminate, phenolic resin, or painted steel. See the shelving page for shelving sizes and styles.

Bookend Brackets

- Offset style bookend brackets are 7" high, 12 ga. painted steel.

Model	Size	Used with:
HDB11	11" D	12" D shelves
HDB13	13" D	14" D shelves
HDB15	15" D	16" D shelves

Each model number includes a set of Left and Right hand brackets.

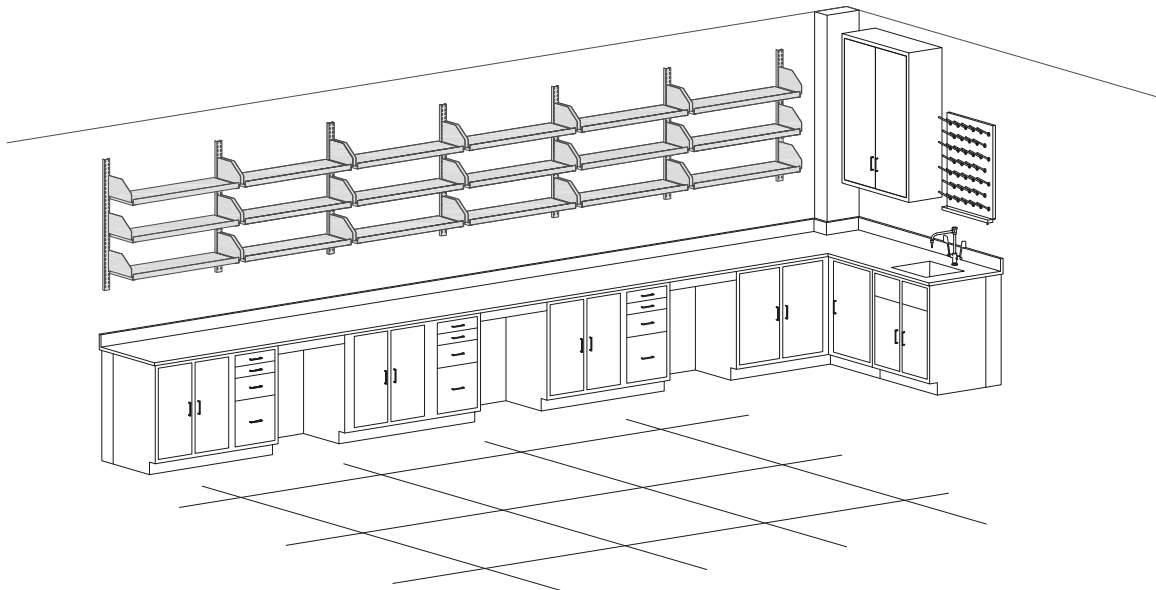
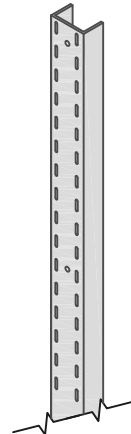


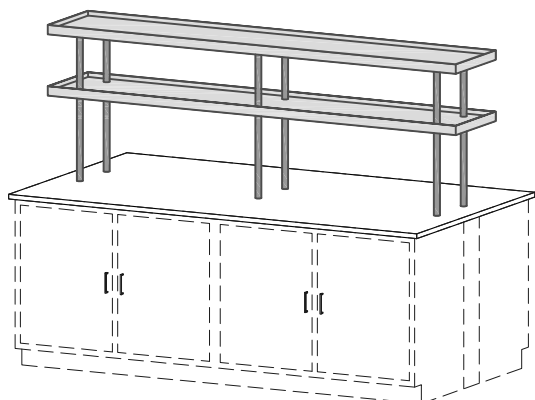
Wall Standards

- Wall standards are painted steel, 12 ga., 2" w x 1-1/2" d., double slotted for use with bookend brackets.

Model	Height
HDS36	36"
HDS48	48"
HDS72	72"
HDS84	84"

Each model number includes one wall standard.





Bench Top Fixed Shelving System

- Used for island, peninsula, or at wall locations where you cannot attach shelves to walls.
- Shelves are fixed.
- Upright poles can support 1, 2, or 3 tiers of shelves.

Plastic Laminate Shelving

- 1" thick laminate shelves with 3mm PVC black retainer lips on both sides.
- Shelves are black.
- Upright installation requires 7/16" holes to be drilled in shelves and counters by others.

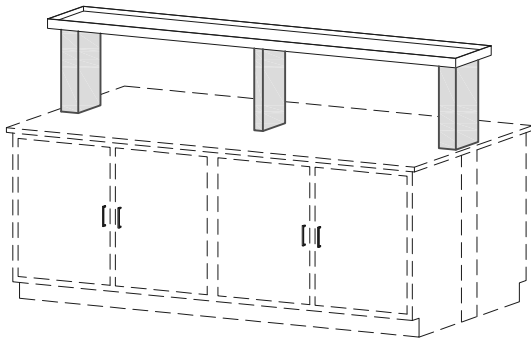
Upright Poles

- Uprights are 1-1/4" dia. brushed stainless steel for attachment to shelves and counters.
- Shelf spans longer than 48" should have a center set of poles.
- Mounting attachment kits are provided with each upright.

Model	Height
UP212	12" set of 2
UP218	18" set of 2
UP224	24" set of 2

Model	Depth	Width
PL1236	12"	36"
PL1248	12"	48"
PL1260	12"	60"
PL1272	12"	72"
PL1296	12"	96"
PL1636	16"	36"
PL1648	16"	48"
PL1660	16"	60"
PL1672	16"	72"
PL1696	16"	96"





Bench Top Fixed Shelving System

- The Box shelf upright system can be used on new or installed onto existing benches.
- Used for island, peninsula, or at wall locations.
- Shelves are fixed.
- Uprights can support 1 or 2 tiers of shelves.

Plastic Laminate Shelving

- 1" thick laminate shelves with 3mm PVC black retainer lips on both sides.
- Shelves are black.
- Upright installation requires 7/16" holes to be drilled in shelves and counters by others.

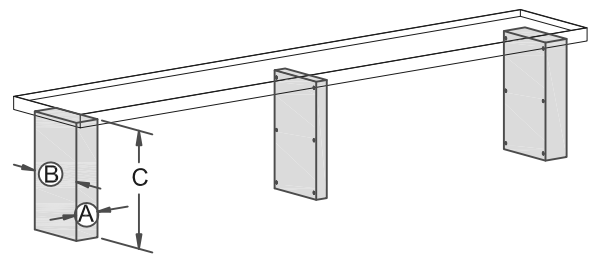
Box Upright Support System

- Painted metal design with removable side for access.
- 4" wide uprights can house electrical or service fixtures from the front or sides.

Model	Depth	Width
PL1236	12"	36"
PL1248	12"	48"
PL1260	12"	60"
PL1272	12"	72"
PL1296	12"	96"
PL1636	16"	36"
PL1648	16"	48"
PL1660	16"	60"
PL1672	16"	72"
PL1696	16"	96"

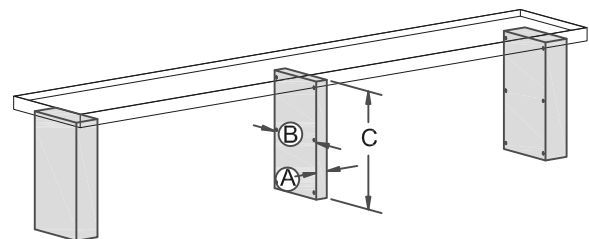
4" Wide Uprights

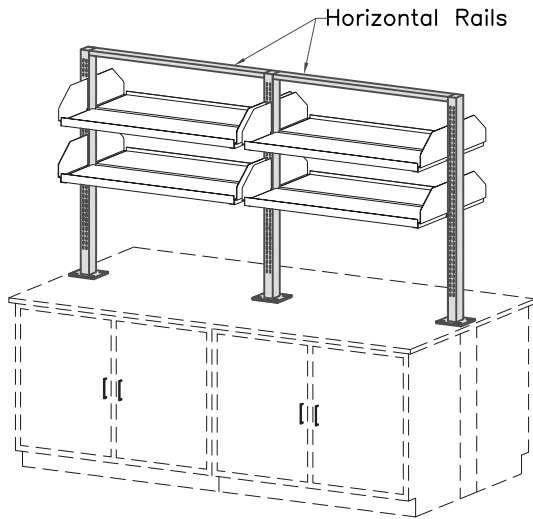
Model	Width (A)	Depth (B)	Height (C)
UBS41012	4"	10"	12"
UBS41412	4"	14"	12"
UBS41018	4"	10"	18"
UBS41418	4"	14"	18"



2" Wide Uprights

Model	Width (A)	Depth (B)	Height (C)
UBS21012	2"	10"	12"
UBS21412	2"	14"	12"
UBS21018	2"	10"	18"
UBS21418	2"	14"	18"





Bench Top Adjustable Shelving System

- Can be used on new or existing island and peninsula benches.
- Shelves are adjustable and removable.
- 48" high x 2" wide x 3" deep painted steel uprights install onto the counter top through bottom mounting plates.
- A center cord gap is provided between shelves for vertical integration of shelf equipment.
- Shelving is available in plastic laminate or painted steel. See the shelving page for shelving sizes and styles.

Bench Top Upright Posts

- Counter mounted upright posts 2" w x 3" d x 48" h are used at end and center locations.
- End posts must be positioned a minimum of 3-1/4" from end of counter top at each side.

Model	Size	Height
BTUP48	2" w x 3" d	48"

Horizontal Top Rails

- Top rails attach between upright posts installed at the center lines listed below.

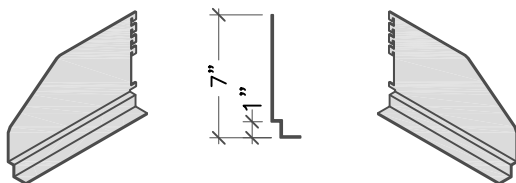
Model	Width	Center Line of Upright Posts
HR34	34"	36"
HR40	40"	42"
HR46	46"	46"
HR58	58"	60"
HR70	70"	72"

Bookend Brackets

- Offset style bookend brackets are 7" high, 12 ga. painted steel.

Model	Size	Used with:
HDB11	11" D	12" D shelves
HDB13	13" D	14" D shelves
HDB15	15" D	16" D shelves

Each model number includes a set of Left and Right hand brackets.

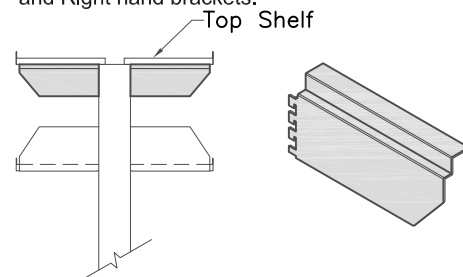


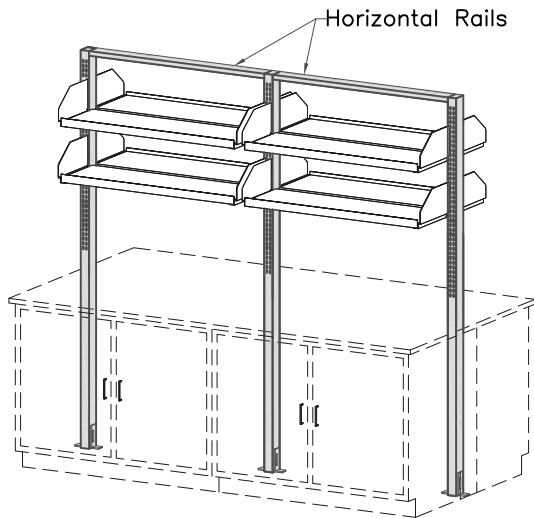
Reverse Top Brackets

- Used to place a shelf at the top of the upright post.
- Reversed offset style bookend brackets are 5" high, 12 ga. painted steel.

Model	Size	Used with:
RHDB11	11" D	12" D shelves
RHDB13	13" D	14" D shelves
RHDB15	15" D	16" D shelves

Each model number includes a set of Left and Right hand brackets.





Floor Mounted Adjustable Shelving System

- Can be used on new island and peninsula benches.
- Shelves are adjustable and removable.
- 84" high x 2" wide x 3" deep painted steel uprights install to the floor through the countertop. Floor mounting brackets are included.
- A center cord gap is provided between shelves for vertical integration of shelf equipment.
- Shelving is available in plastic laminate or painted steel. See the shelving page for shelving sizes and styles.

Floor Mounted Upright Posts

- Floor mounted upright posts are used at end and center locations.
- End posts must be positioned a minimum of 3-1/4" from end of countertop at each side.

Model	Size	Height
FMUP84	2" w x 3" d	84"

Horizontal Top Rails

- Top Rails attach between upright posts installed at the center lines listed below.

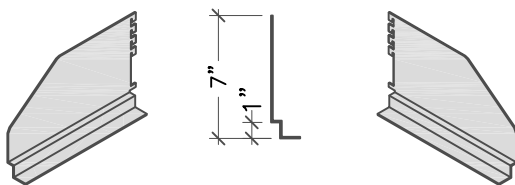
Model	Width	Center Line of Upright Posts
HR34	34"	36"
HR40	40"	42"
HR46	46"	46"
HR58	58"	60"
HR70	70"	72"

Bookend Brackets

- Offset style bookend brackets are 7" high, 12 ga. painted steel.

Model	Size	Used with:
HDB11	11" D	12" D shelves
HDB13	13" D	14" D shelves
HDB15	15" D	16" D shelves

Each model number includes a set of Left and Right hand brackets.

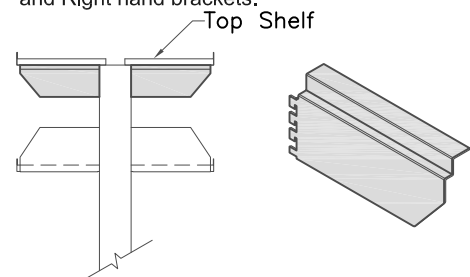


Reverse Top Brackets

- Used to place a shelf at the top of the upright post.
- Reversed offset style bookend brackets are 5" high, 12 ga. painted steel.

Model	Size	Used with:
RHDB11	11" D	12" D shelves
RHDB13	13" D	14" D shelves
RHDB15	15" D	16" D shelves

Each model number includes a set of Left and Right hand brackets.

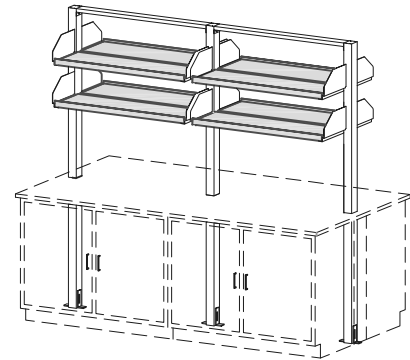
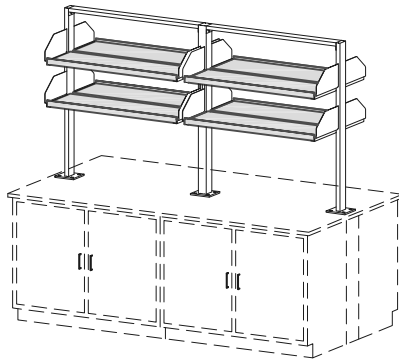
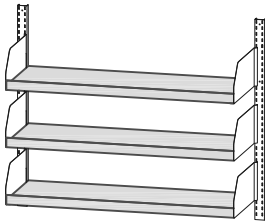
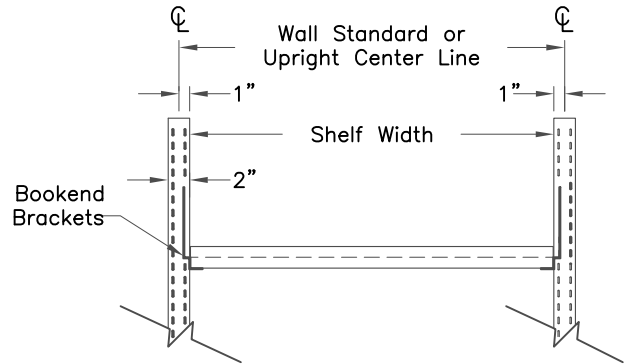


Shelving Styles, Sizes, and Applications

Shelving styles on this page are used with the following shelving applications:

- Heavy Duty Wall Shelving System
- Bench Top Adjustable Shelving System
- Floor Mounted Adjustable Shelving System

Shelving widths are based on wall standards or with upright posts installed on the center line dimensions listed below.



Heavy Duty Wall System

Bench Top System

Floor Mount System

Plastic Laminate Shelving - SPL

Phenolic Resin Shelving - SPR

- 1" thick laminate shelves with 1" high front 3mm PVC retainer lip (black).
- 3/4" thick black phenolic shelves with front retainer lip. Contact your HLF representative for material options for retainer lips.
- Center bracket and additional wall standard required for shelves 60" and over for laminate or phenolic shelves.
- Specify SPL for laminate or SPR for phenolic shelves at the beginning of the model numbers below.

Model	Shelf Width	Shelf Depth
___3412	34"	12"
___4212	42"	12"
___4612	46"	12"
___5812	58"	12"
___7012	70"	12"
___3414	34"	14"
___4214	42"	14"
___4614	46"	14"
___5814	58"	14"
___7014	70"	14"
___3416	34"	16"
___4216	42"	16"
___4616	46"	16"
___5816	58"	16"
___7016	70"	16"

Painted Steel Shelving - SMS

- 1" thick 16 ga. painted steel with front retainer lip.
- Available in HLF standard colors to match casework.

Model	Shelf Width	Shelf Depth
SMS3412	34"	12"
SMS4212	42"	12"
SMS4612	46"	12"
SMS5812	58"	12"
SMS7012	70"	12"
SMS3414	34"	14"
SMS4214	42"	14"
SMS4614	46"	14"
SMS5814	58"	14"
SMS7014	70"	14"
SMS3416	34"	16"
SMS4216	42"	16"
SMS4616	46"	16"
SMS5816	58"	16"
SMS7016	70"	16"

Shelf Retainer Lips - LIP

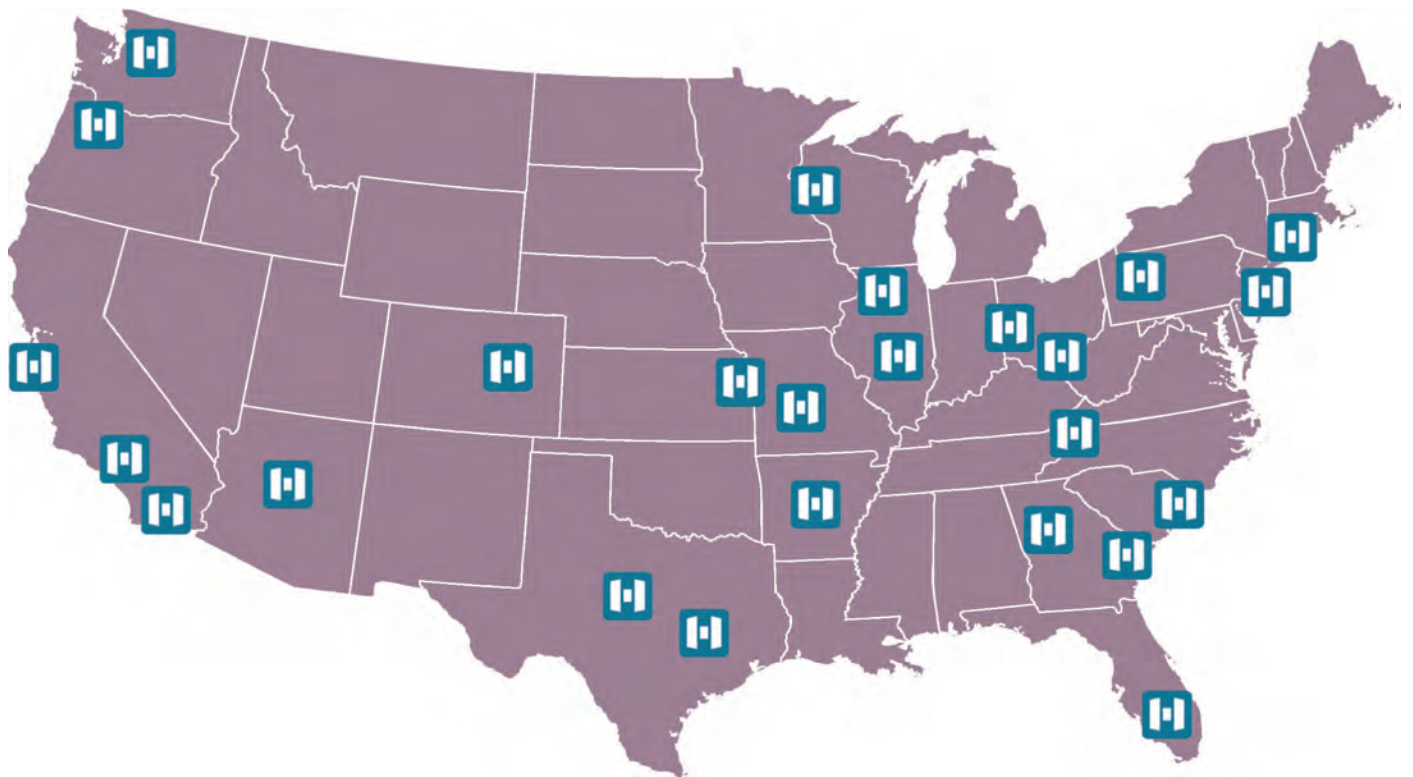
- Painted metal shelf lips attach to underside of shelf.

Model - specify shelf width

LIP - _____

Where To Find HLS

Our Lab Professionals Serve Customers Throughout The U.S.



Here's what we deliver to our customers:

- Design and conceptual planning
- Installation
- Engineering
- National HLS representation with project management and installation support
- Support for engineers and contractors. Let us help you develop your new lab.
- Ideas and suggestions for how to do it better, faster, and cheaper
- Custom looks for standard costs: if you want a custom lab, we can show you how you may be able to achieve the same look with custom configuration of standard products.
- And if you really need custom pieces, we're vertically integrated, with design, manufacturing, and expert installation in one company. So we are likely to be able to deliver custom furniture and fume hoods at lower costs than you might expect.
- The fastest delivery in the industry. In every category. Period.

Ready to get started? We're here to serve you.

Call us at 1-805-498-3121
Email us at info@hansonlab.com
Or call your HLS representative