



Hanson M1 & M2 Series Workstations

The newest member of the HLS family

HLS M-series bench systems are highly configurable, and offer numerous accessory options designed to meet a variety of project budgets.

The backbone of the M1 & M2 bench is a robust 2" x 3" 14-gauge powder-coated steel upright for maximum stability and extended life.

Sizing choices:

- Widths - 4', 5', 6'
- Depths - 30", 36", 60" (double-sided)
- Height adjustable in 1" increments from 30-3/4 to 36-3/4".

Power, data, and gas service options can be pre-installed into the frame, resulting in a clean, uncompromised work center.

Additional accessories:

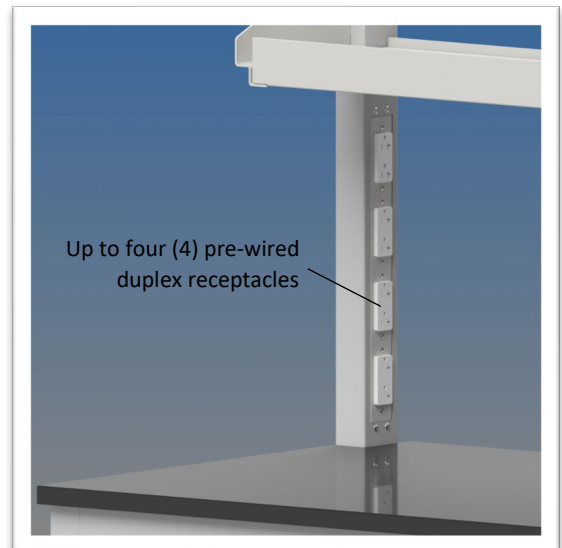
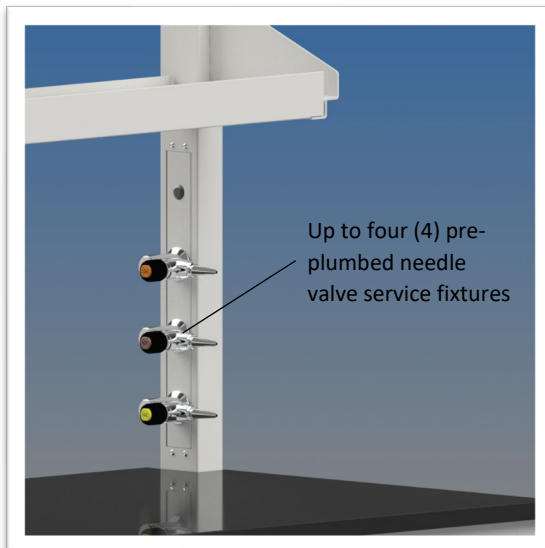
- 1" thick lab-grade phenolic work surfaces
- Shelving - multiple depth choices with various retaining lip styles
- Mobile and suspended cabinets - multiple door and drawer configurations
- Bin box mount
- Horizontal power strip



M1 bench (single-sided)



M2 bench (double-sided)



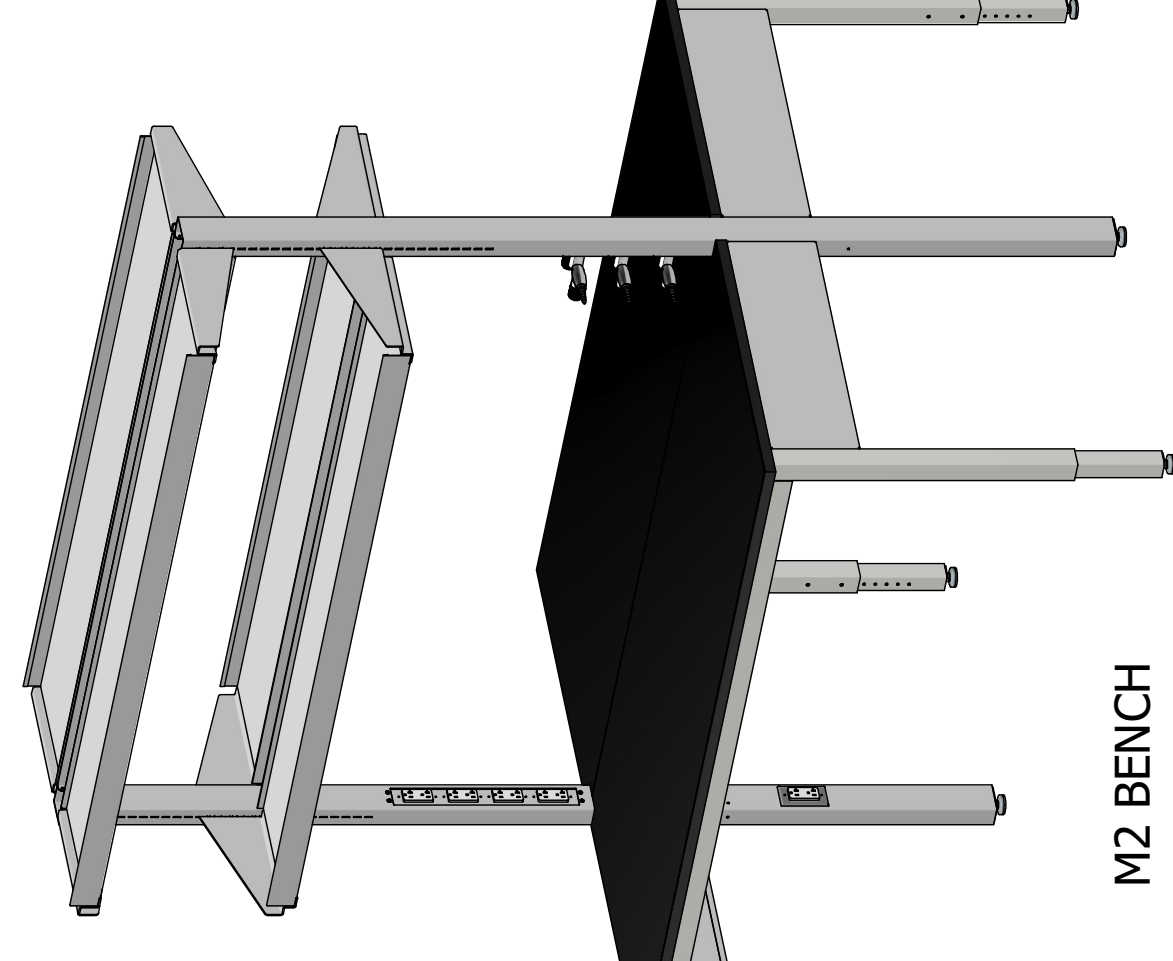
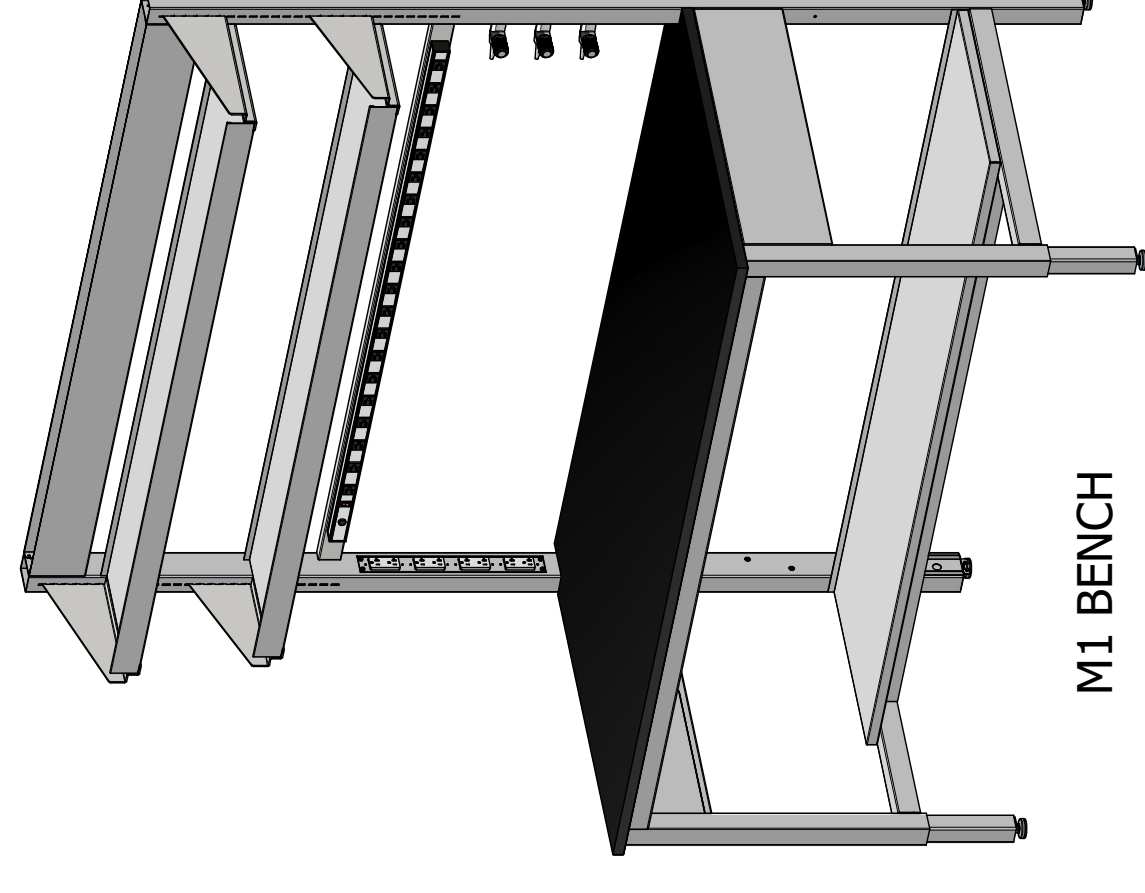
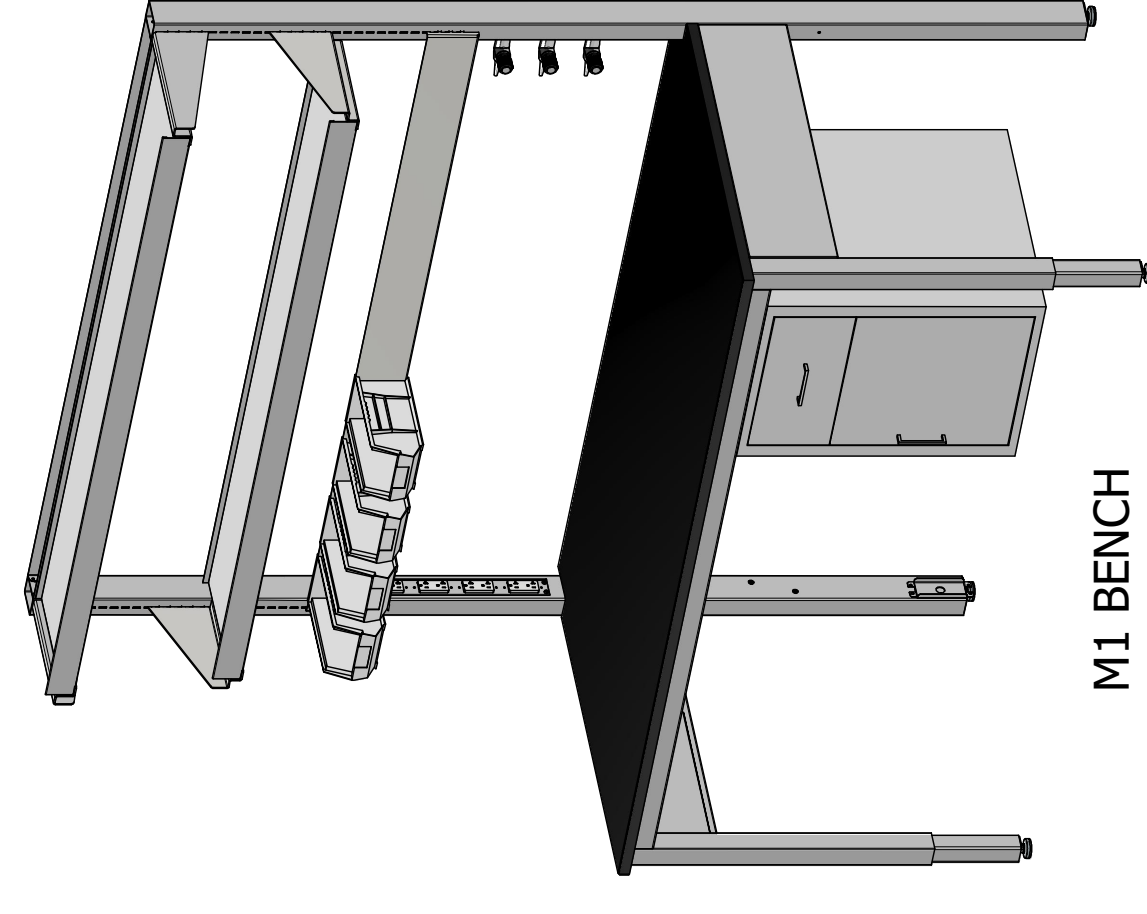
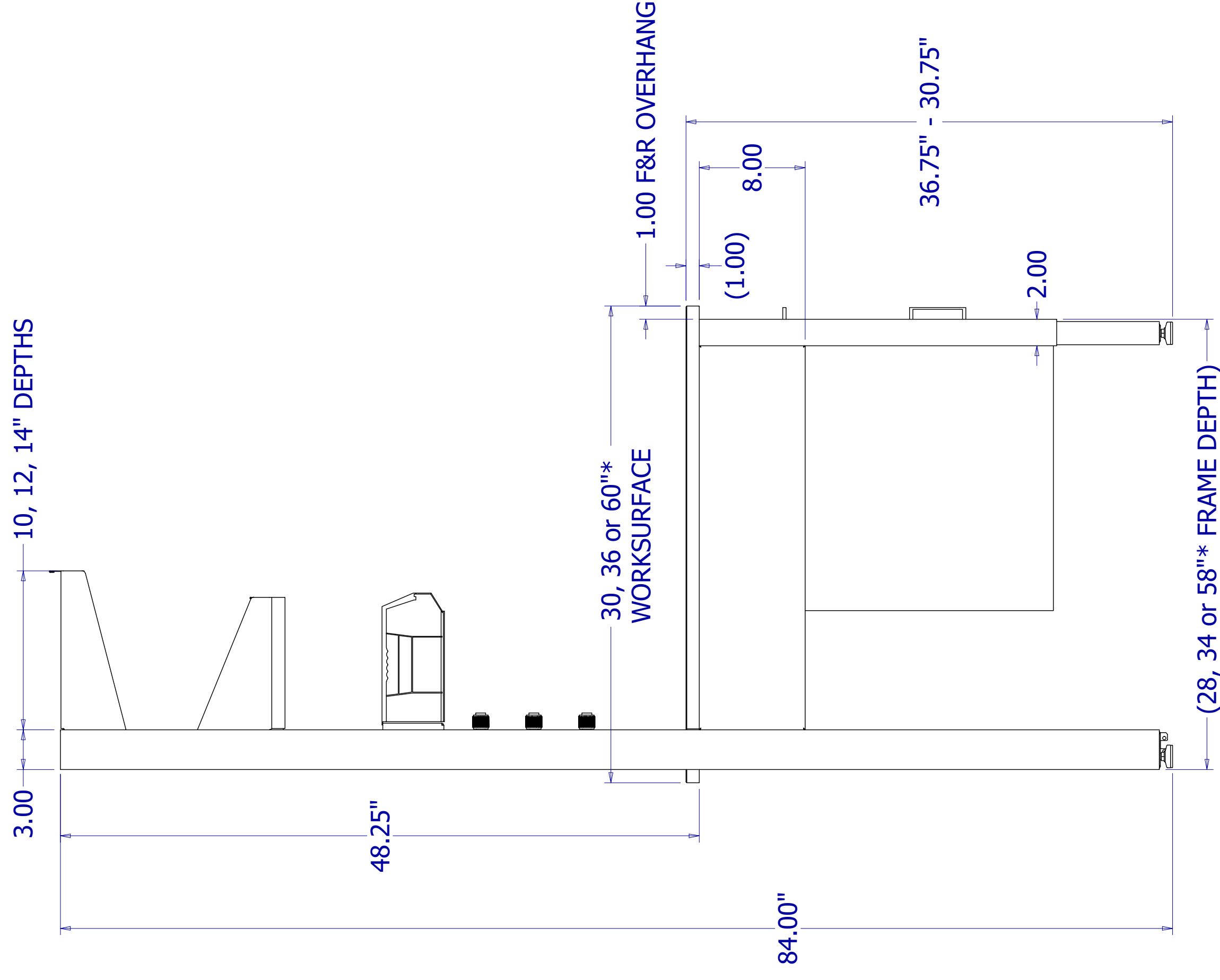
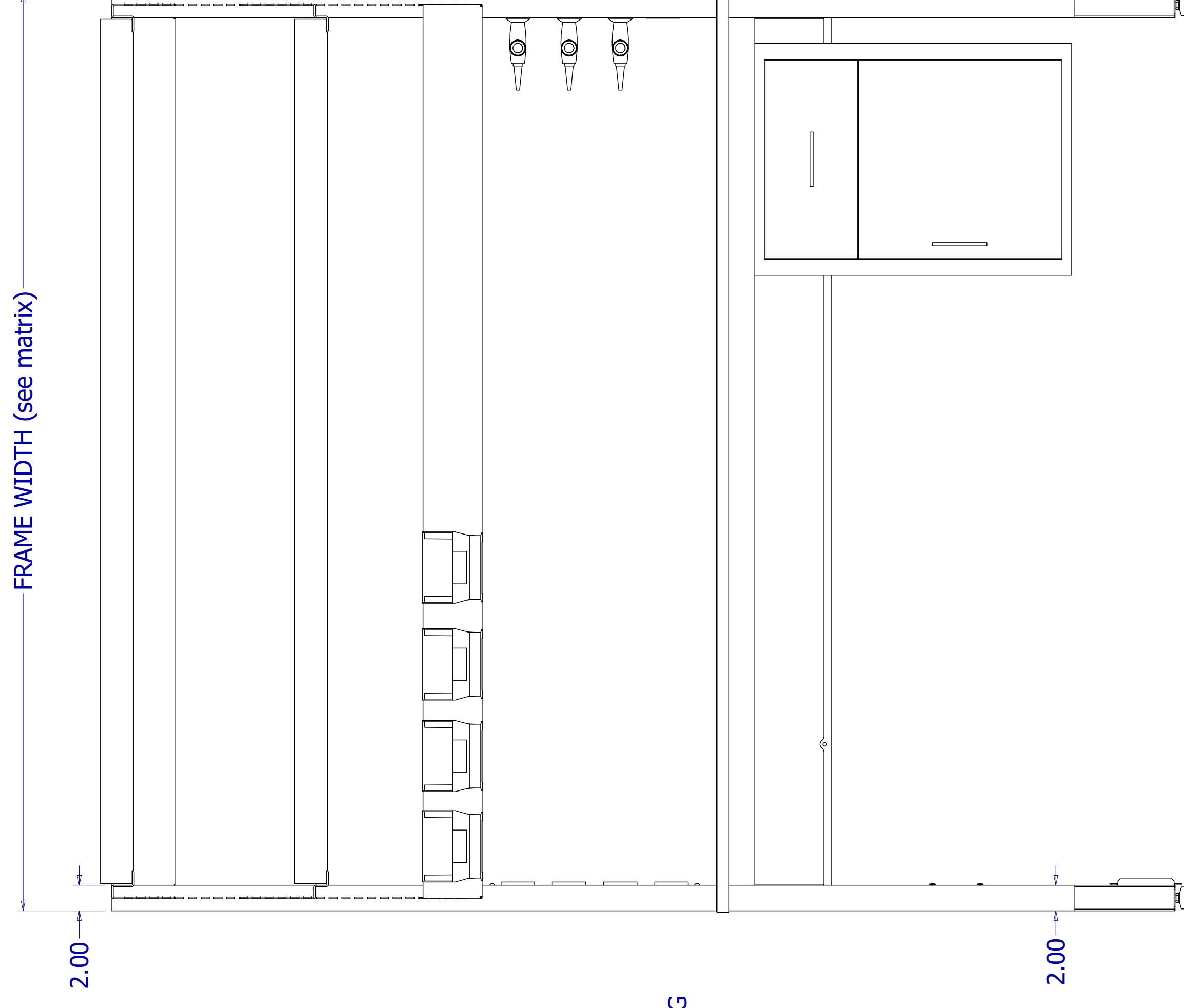
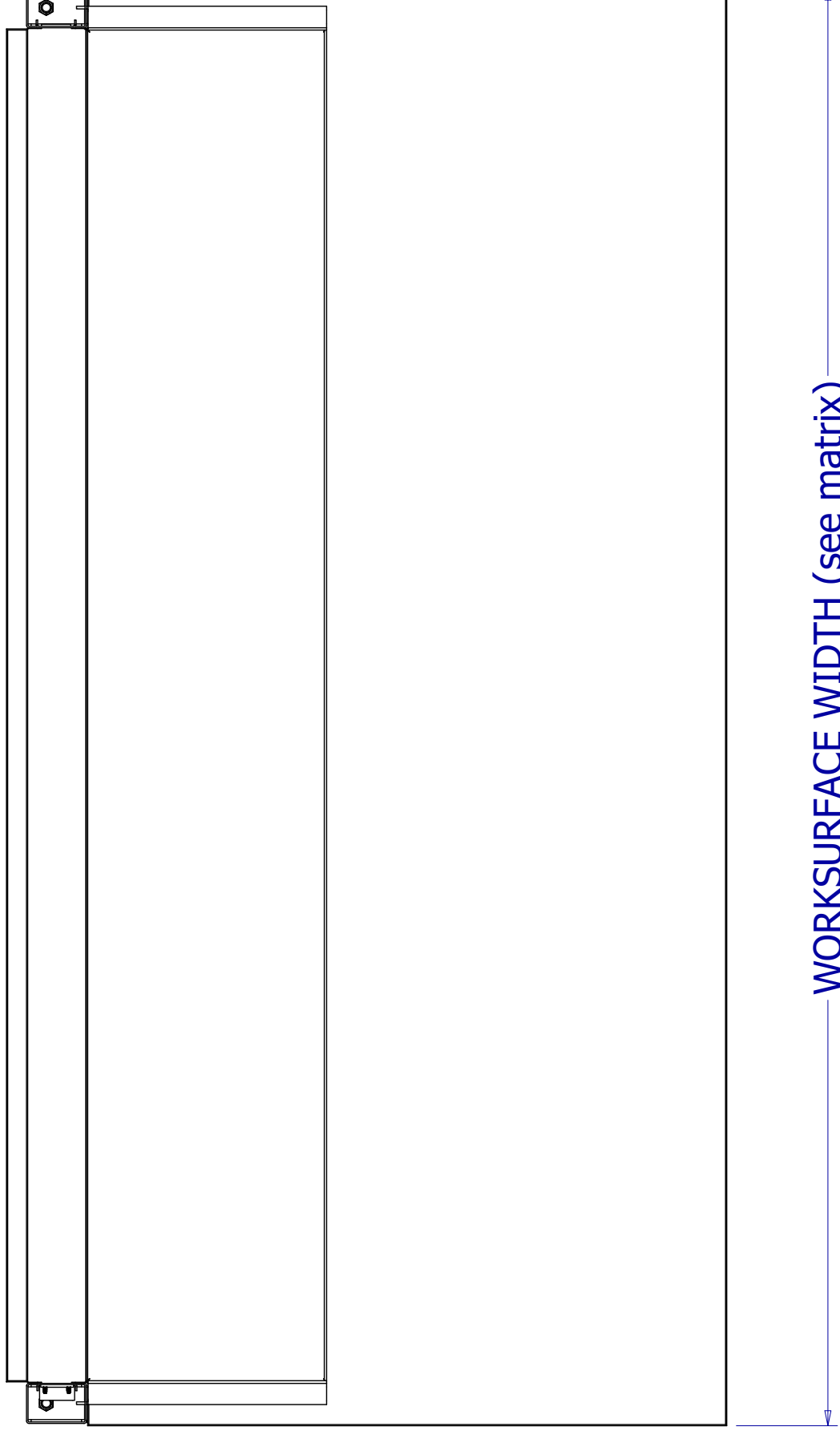
Designed and manufactured in Camarillo, California 

Hanson Lab Solutions - 805.498.3121

www.HANSONLAB.com

HLS M1 & M2 WORKSTATIONS

- FRAME CONFIGURATIONS**
 -M1: SINGLE-SIDED, 30 OR 36" DEEP
 -M2: DOUBLE-SIDED, 60" DEEP
14GA STEEL 2 x 3" REAR POST, 2 x 2" FRONT LEG CONSTRUCTION
SIX-POSITION ADJUSTABLE WORKSURFACE HEIGHT (1" INCREMENTS)
STATIC LOAD CAPACITY, EQUALLY DISTRIBUTED
 -COMBINED SYSTEM : 1200 LBS
 -LOWER SHELF : 200 LBS
 -UPPER SHELVES : 150 LBS
- AVAILABLE OPTIONS:**
 -UPPER SHELF KIT (SHOWN) IN VARIOUS SIZES / STYLES
 -LOWER SHELF KIT (SHOWN)
 -POWER, DATA AND GAS SERVICE INTEGRATION INTO UPRIGHT POSTS (SHOWN)
 -CHEM RESISTANT PHENOLIC WORK SURFACE (SHOWN)
 -SIDE APRON OPTION TO ACCOMMODATE ALTERNATE DEPTH WORK SURFACES
 -SUSPENDED CABINET (SHOWN) IN VARIOUS SIZES / STYLES
 -MOBILE CABINET IN VARIOUS SIZES / STYLES
 -HORIZONTAL POWER STRIP KIT (SHOWN)
 -BIN BOX MOUNT BRACKET (SHOWN)
- SEE PRICE LIST FOR FRAME AND ACCESSORY PART NUMBERS
 ASSEMBLY REQUIRED



SIZE MATRIX		
Nominal (width x depth)	Frame width	Worksurface width
36 x 30, 36 or 60*	35-3/4"	36"
48 x 30, 36 or 60*	47-3/4"	48"
60 x 30, 36 or 60*	59-3/4"	60"
72 x 30, 36 or 60*	71-3/4"	72"

*58" or 60" depth indicates double-sided M2 bench

DRAWN	4/24/2023	HLS HANSON LAB SOLUTIONS	
MWR		747 Calle Plano, Camarillo CA 93012 805-498-3121	
CHECKED			
QA		TITLE BENCH ASSY, HLS M1/M2 SERIES 2x3, AD1 HT	
APPROVED		FINISH POWDERCOAT PER JOB REQUIREMENT	
UNLESS OTHERWISE NOTED, GEN. TOLERANCE +/- .015", ALL DIMENSIONS ARE IN INCHES	JOB #	PART NO	REV
	QUOTE #	SEE CATALOG	A
	SCALE	.13" MATL	SHEET 1 OF 1