



Hanson M3 & M4 Series Workstations

The newest members of the HLS M-Series

HLS M3 and M4 bench systems are highly configurable, and offer numerous accessory options designed to meet a variety of project budgets.

The backbone of the M3 & M4 bench is a robust 2"x 5" 11-gauge powder-coated steel upright for maximum stability and extended life.

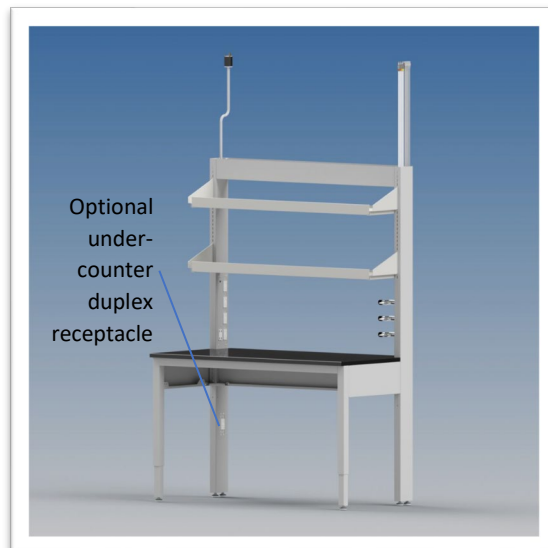
Sizing choices:

- Widths – 4', 5' and 6'
- Depths - 30", 36", 60" (double-sided)
- Height adjustable in 1" increments from 30-3/4 to 36-3/4"

Power, data, and gas service options can be pre-installed into the frame, resulting in a clean, uncompromised work center.

Additional accessories:

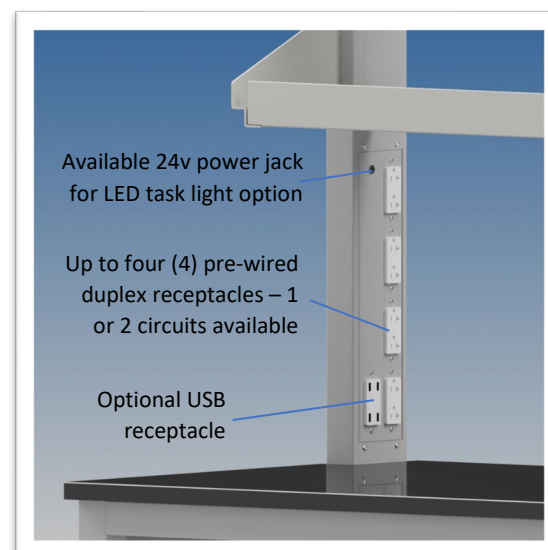
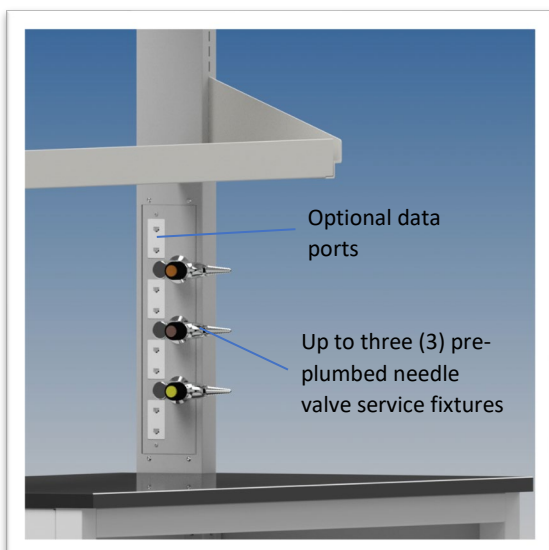
- 1" thick Lab-grade phenolic work surfaces
- Shelving - multiple depth choices with various retaining lip styles
- Mobile and suspended cabinets - numerous door and drawer configurations
- Bin box mount
- Horizontal power strip



M3 bench (single-sided)



M4 bench (double-sided)



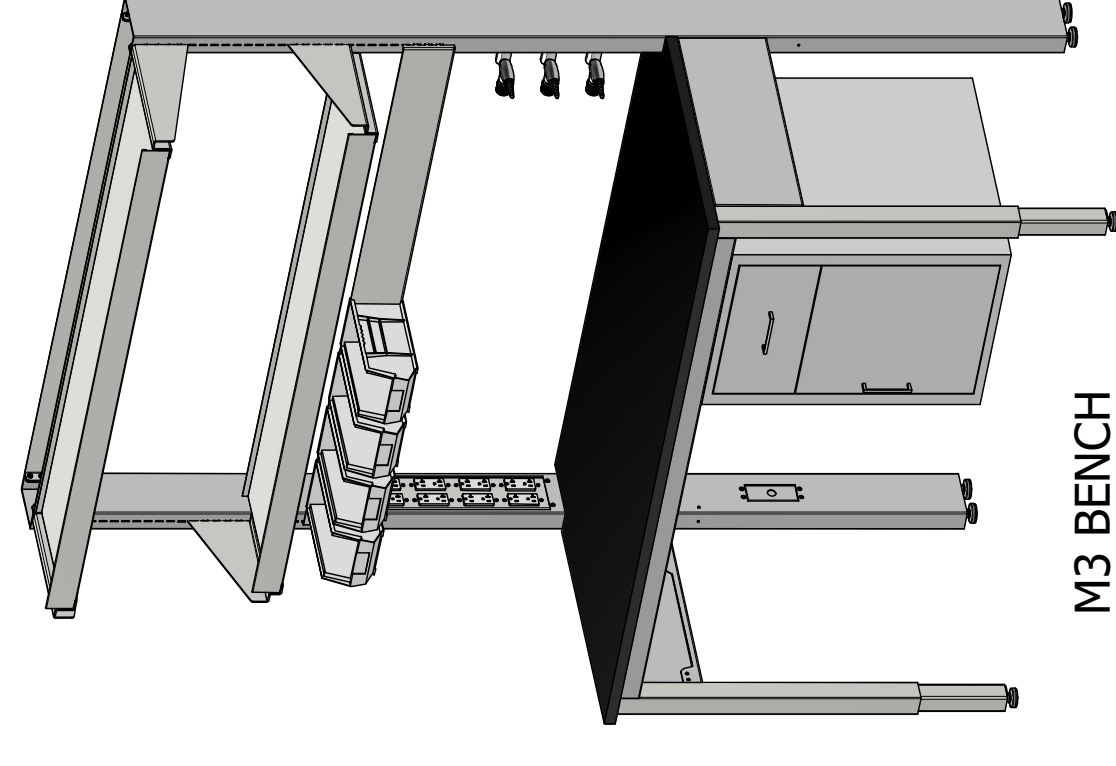
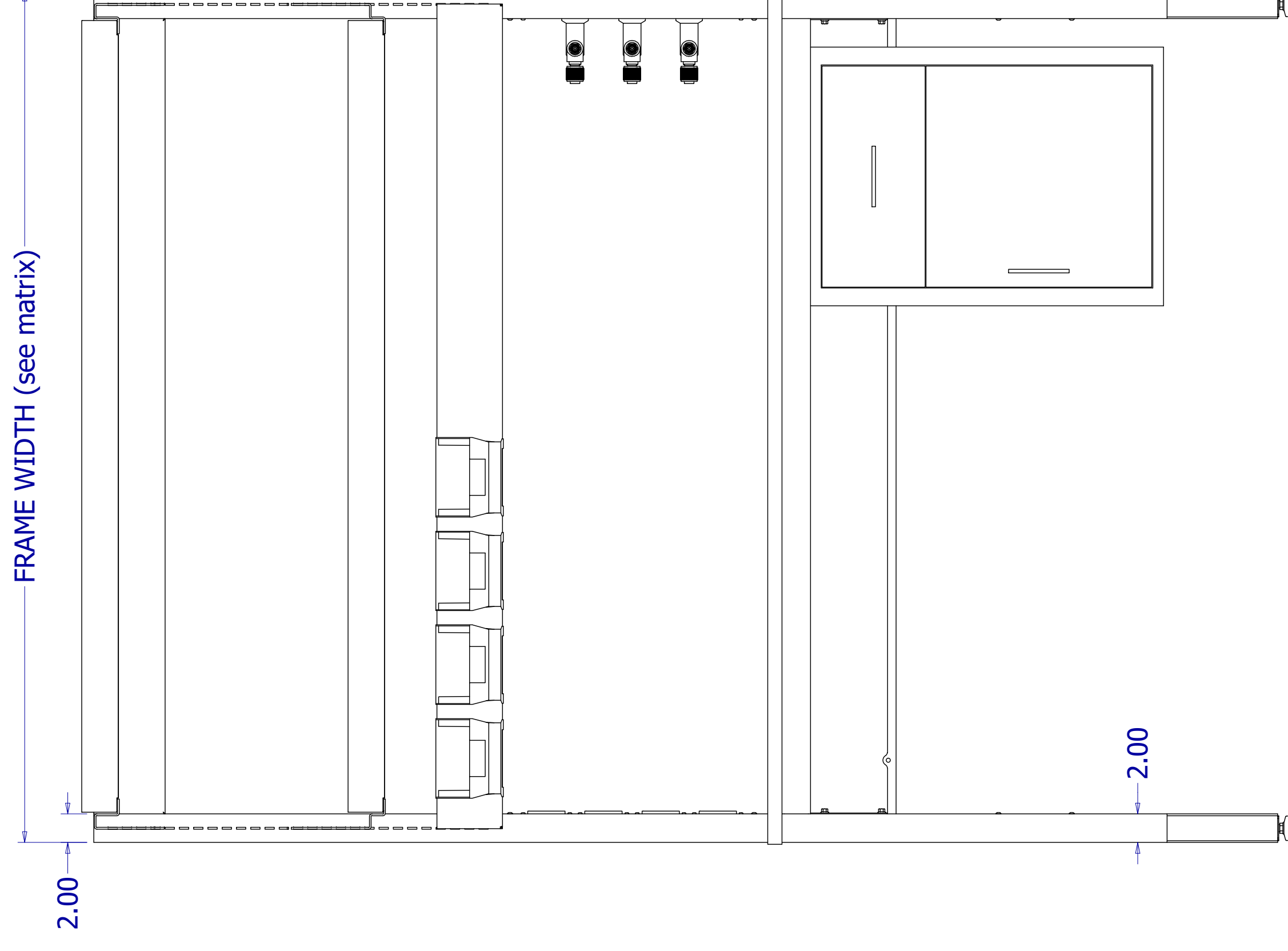
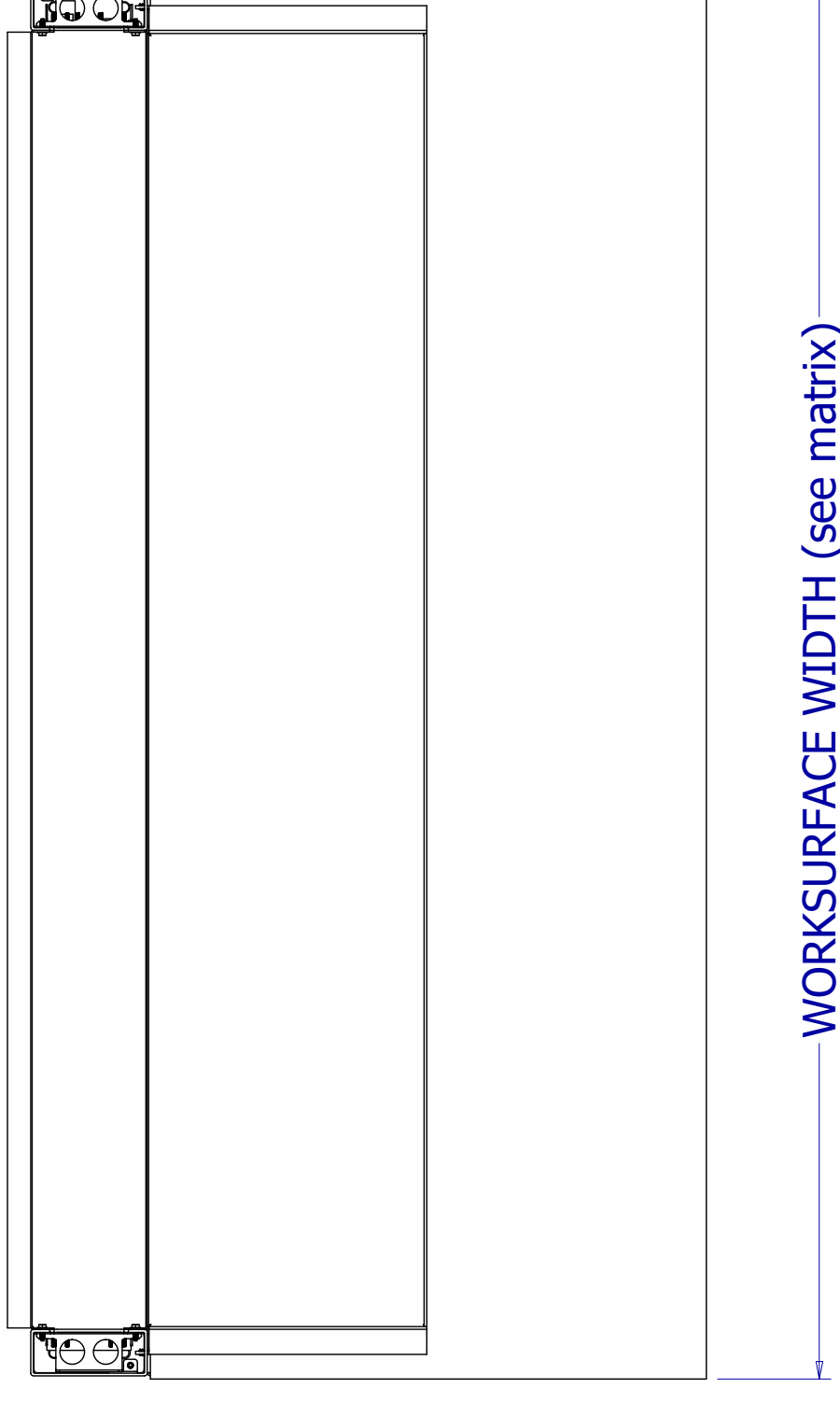
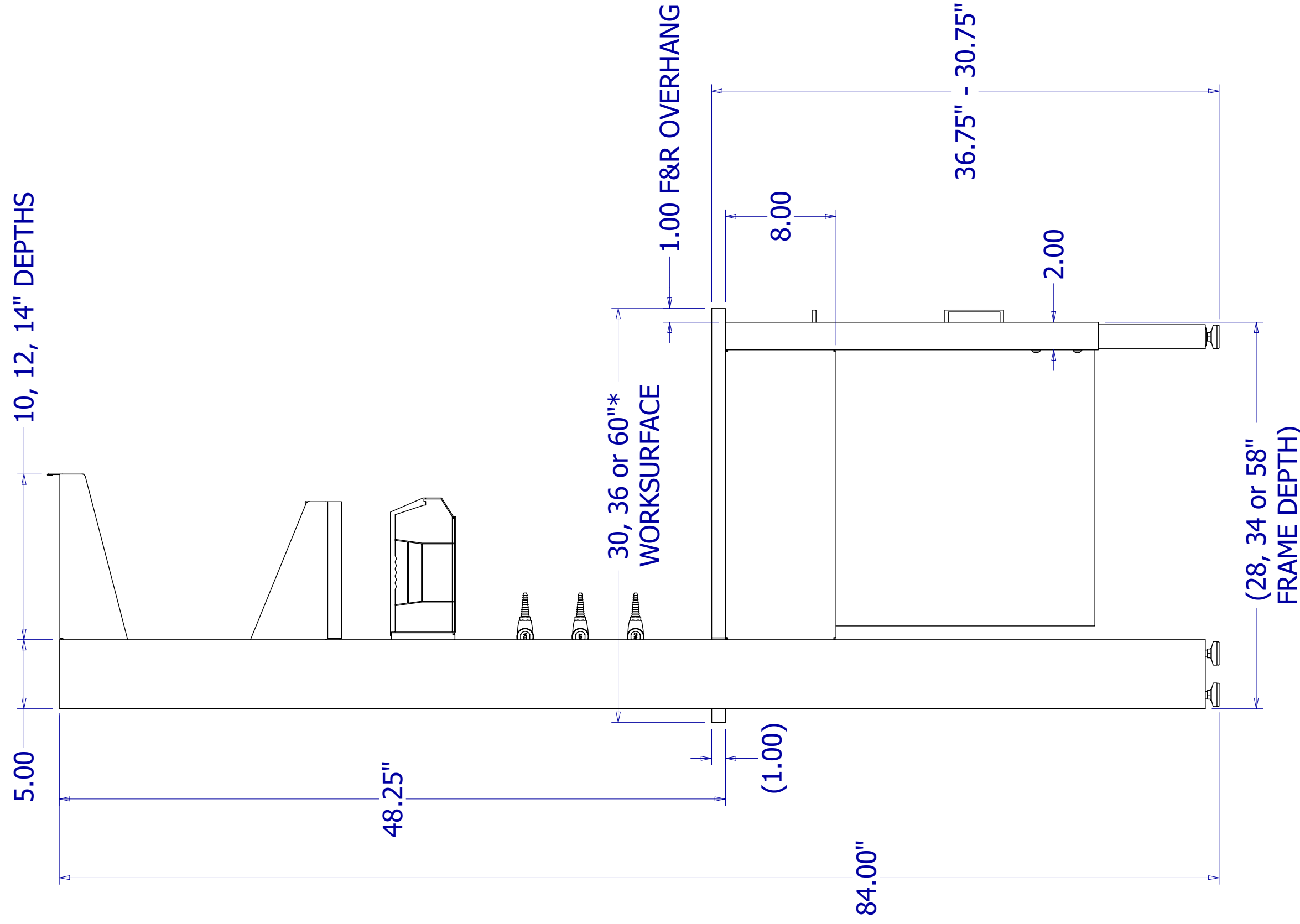
Designed and manufactured in Camarillo, California

Hanson Lab Solutions - 805.498.3121

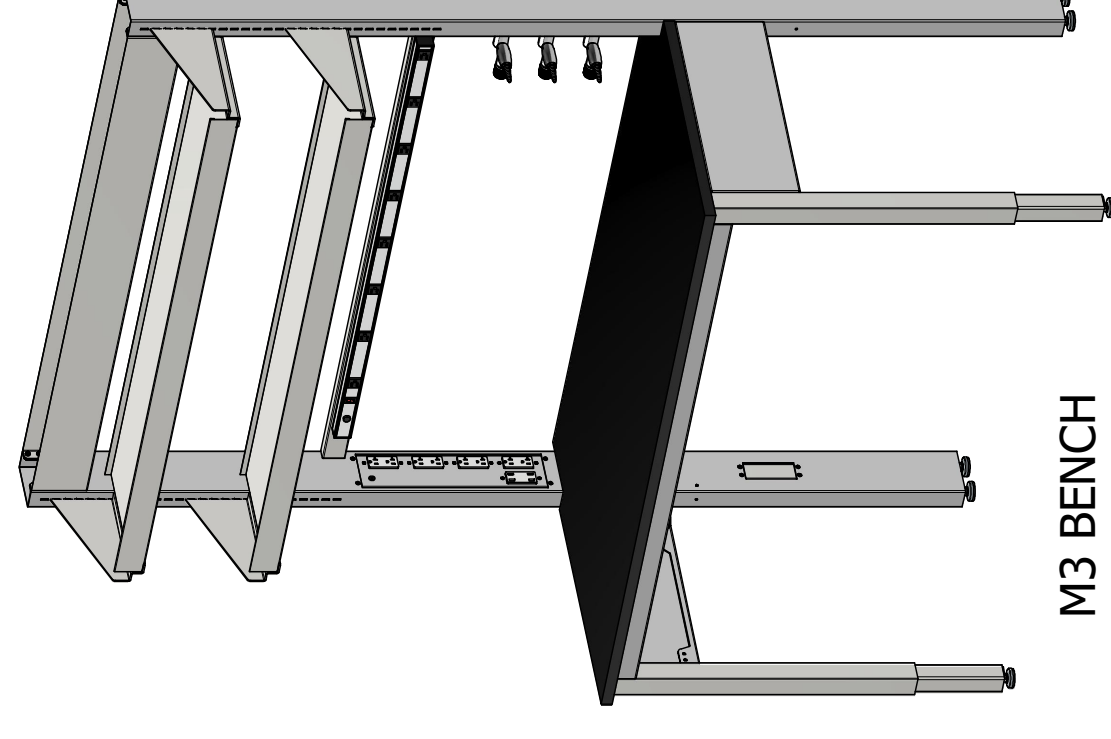
www.HANSONLAB.com

HLS M3 & M4 WORKSTATIONS

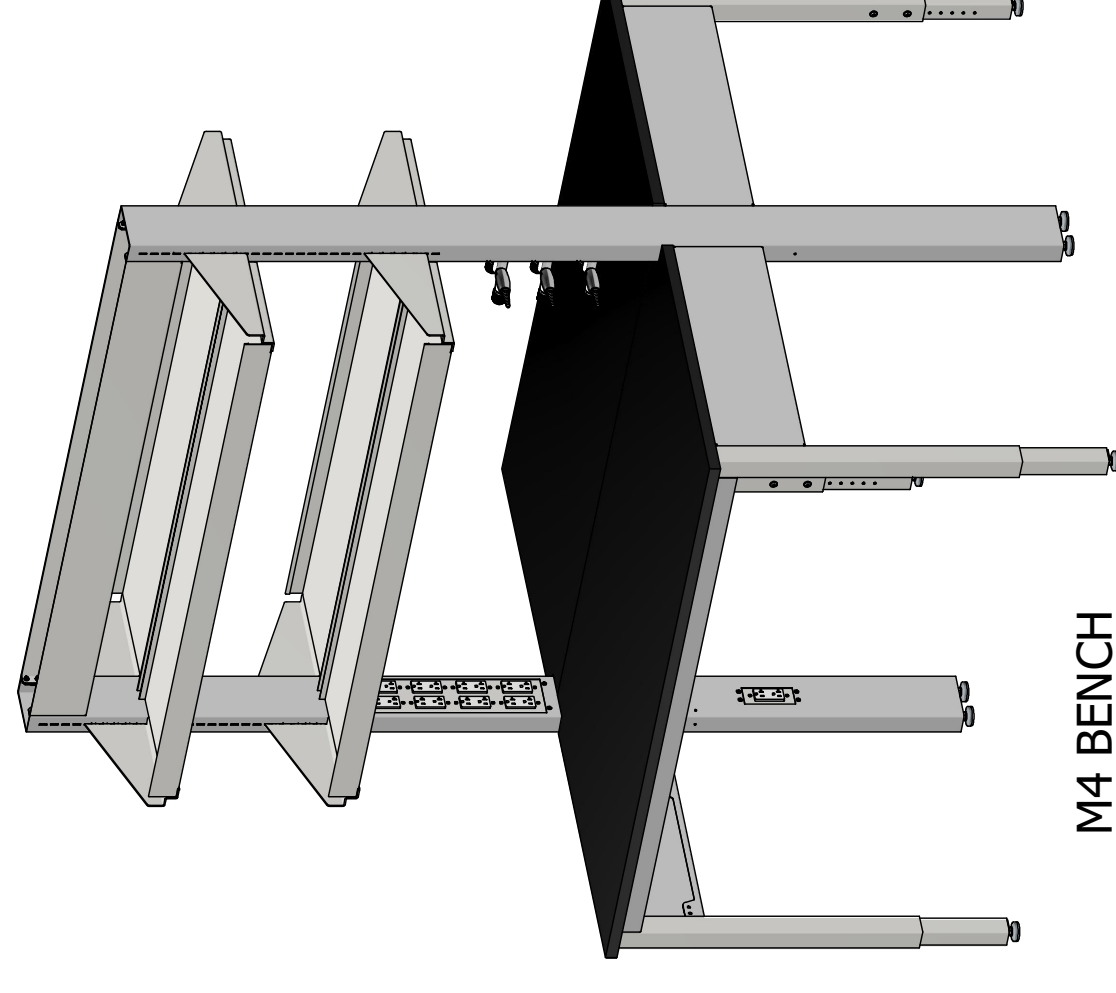
- FRAME CONFIGURATIONS**
 - M3: SINGLE-SIDED, 30 OR 36" DEEP
 - M4: DOUBLE-SIDED, 60" DEEP
- 11 GA STEEL 2 x 5" REAR POST, 14 GA 2 x 2" FRONT LEG CONSTRUCTION**
- SIX-POSITION ADJUSTABLE WORKSURFACE HEIGHT (1" INCREMENTS)**
- STATIC LOAD CAPACITY, EQUALLY DISTRIBUTED**
 - COMBINED SYSTEM : 1200 LBS
 - LOWER SHELF : 200 LBS
 - UPPER SHELVES : 150 LBS
- AVAILABLE OPTIONS:**
 - UPPER SHELF KIT (SHOWN) IN VARIOUS SIZES / STYLES
 - LOWER SHELF KIT
 - POWER, DATA AND GAS SERVICE INTEGRATION INTO UPRIGHT POSTS (SHOWN)
 - CHEM RESISTANT PHENOLIC WORK SURFACE (SHOWN)
 - SIDE APRON OPTION TO ACCOMMODATE ALTERNATE DEPTH WORK SURFACES
 - SUSPENDED CABINET (SHOWN) IN VARIOUS SIZES / STYLES
 - MOBILE CABINET IN VARIOUS SIZES / STYLES
 - HORIZONTAL POWER STRIP KIT (SHOWN)
 - BIN BOX MOUNT BRACKET (SHOWN)
- SEE PRICE LIST FOR FRAME AND ACCESSORY PART NUMBERS
 - ASSEMBLY REQUIRED



M3 BENCH



M3 BENCH



M4 BENCH

SIZE MATRIX		
Nominal (width x depth)	Frame width	Worksurface width
36 x 30, 36 or 60*	35-3/4"	36"
48 x 30, 36 or 60*	47-3/4"	48"
60 x 30, 36 or 60*	59-3/4"	60"
72 x 30, 36 or 60*	71-3/4"	72"

*58" or 60" depth indicates double-sided M4 bench

DRAWN	4/24/2023	HLS SM HANSON LAB SOLUTIONS	
MWR		747 Calle Plano, Camarillo CA 93012 805-498-3121	
CHECKED		HANSON	
QA		TITLE BENCH ASSY, HLS M3 / M4 SERIES 2x5, ADJ HT	
APPROVED		FINISH POWDERCOAT PER JOB REQUIREMENT	
UNLESS OTHERWISE NOTED, GEN. TOLERANCE +/- .015", ALL DIMENSIONS ARE IN INCHES	JOB #	PART NO	REV
	QUOTE #	SEE CATALOG	A
	SCALE	.13" (MATL)	SHEET 1 OF 1